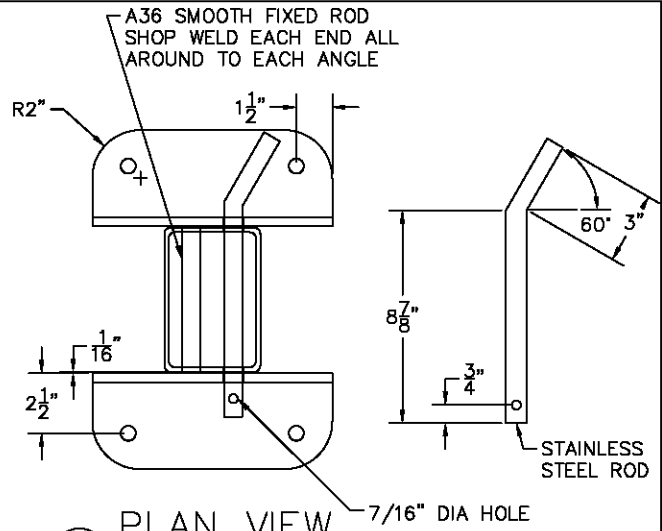
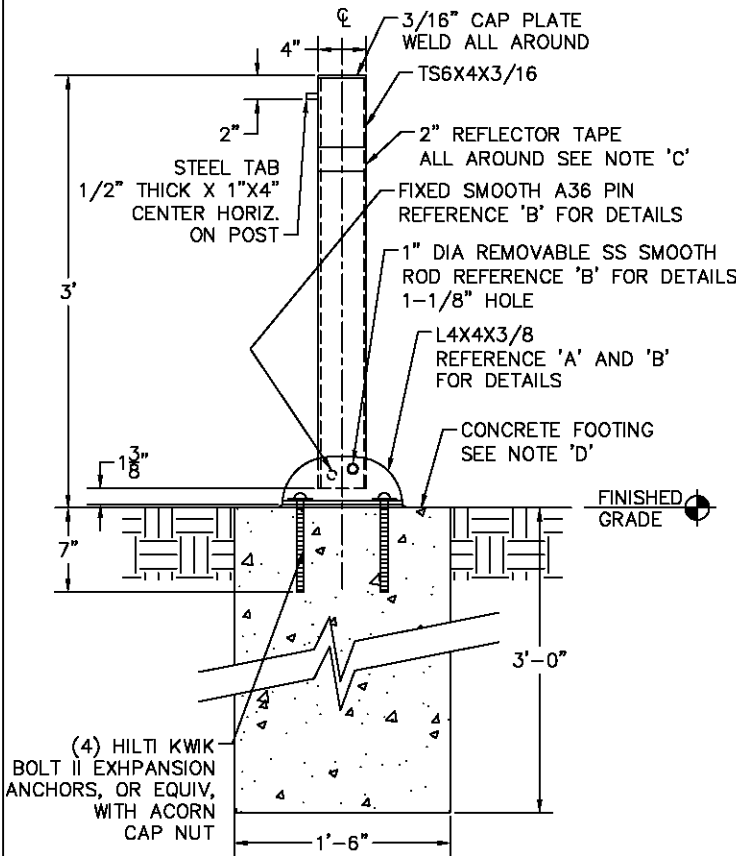


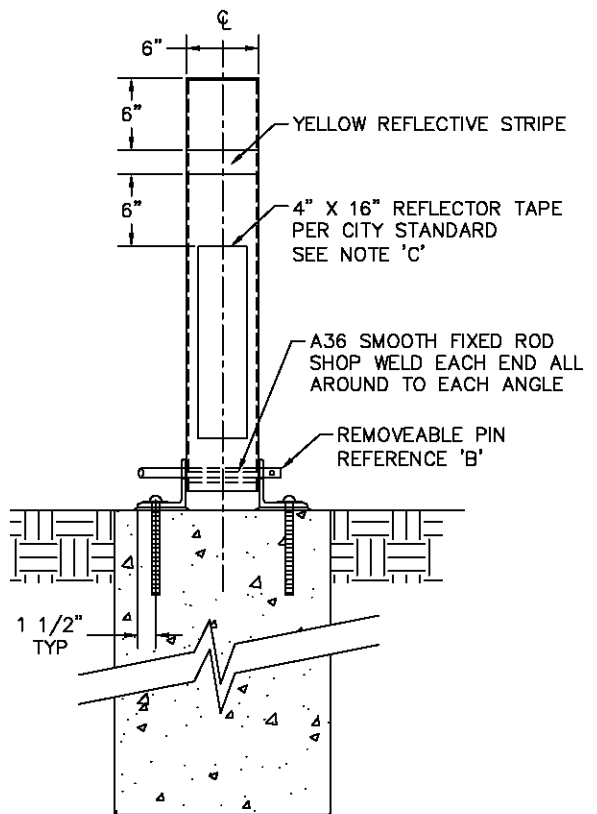
(A) SIDE VIEW



(B) PLAN VIEW



SIDE VIEW



FRONT VIEW

- NOTES:
- A. ALL STEEL SHALL BE A36 STRUCTURAL UNLESS NOTED OTHERWISE.
 - B. ALL STEEL SHALL BE POWDER COATED BROWN UNLESS NOTED OTHERWISE. COLOR SHALL MATCH BENJAMIN MOORE IRON CLAD LATEX BRONZE TONE COLOR #363-60 (STOCKTON'S PAINT SUPPLY), OR EQUIVALENT.
 - C. REFLECTIVE TAP BOTH SIDES, YELLOW BACKGROUND, NO LETTERING, TO BE MADE OF TRAFFIC GRADE REFLECTIVE TAPE.
 - D. FOOTING DESIGN MAY VARY PER SITE CONDITIONS.
 - E. ORIENTATION AND LOCATION OF BOLLARD SHALL BE APPROVED BY PARKS IN THE FIELD.

<p>PARKS AND RECREATION DESIGN AND DEVELOPMENT</p> <p>last edit August 09, 2007</p>	<p>CITY OF BELLINGHAM FOLD DOWN BOLLARD DETAIL</p>	<p>DRAWING 02840.01</p>
---	--	-----------------------------