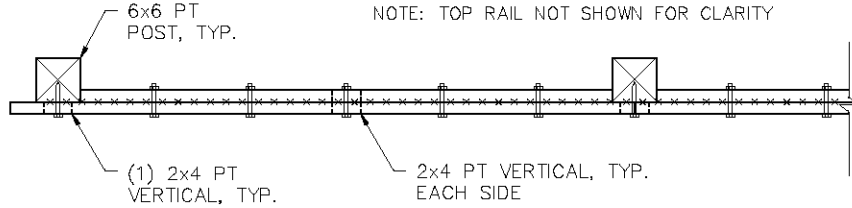


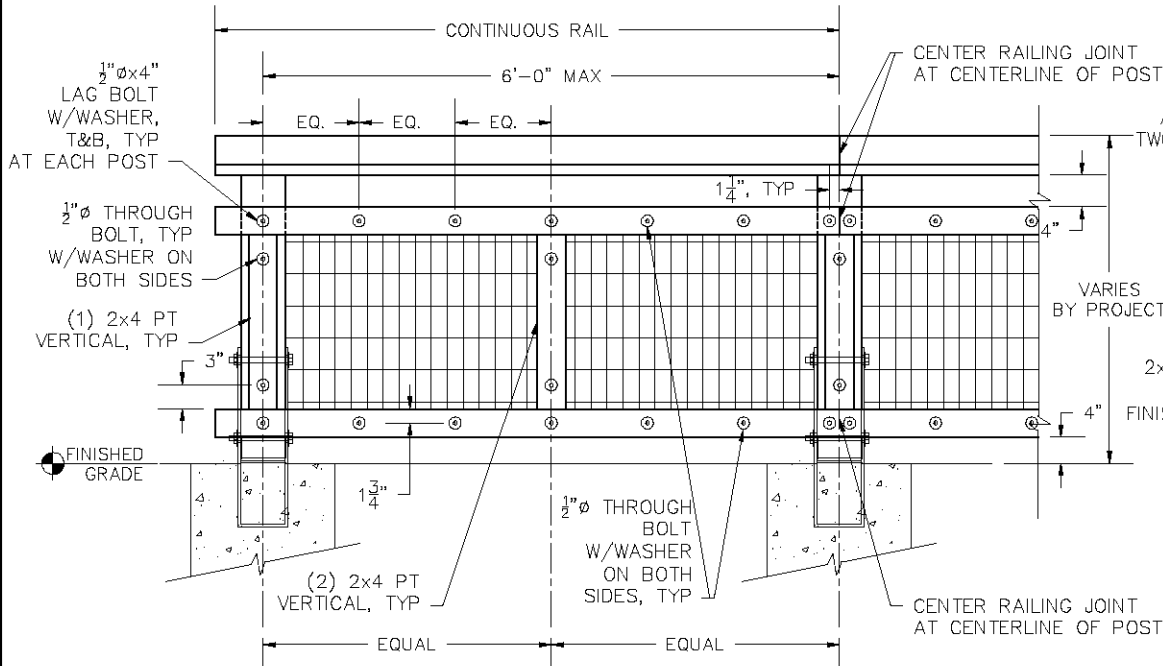
**PARKS AND RECREATION  
 DESIGN AND DEVELOPMENT  
 February 4, 2010**

**CITY OF BELLINGHAM  
 WOOD GUARDRAIL ELEVATION  
 Scale: 1/2" = 1'-0"**

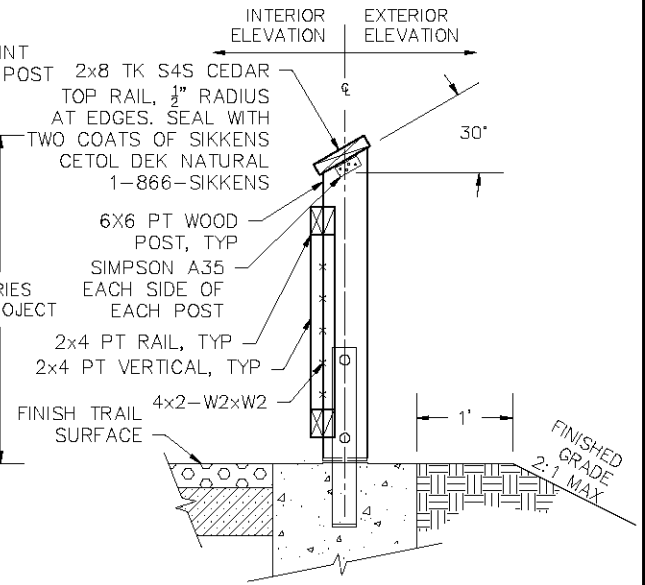
**DRAWING  
 2840.03**



**GUARDRAIL PLAN VIEW**



**GUARDRAIL INTERIOR ELEVATION**



**GUARDRAIL SIDE VIEW**

**NOTES:**

- A. DESIGN SHOWN REPRESENTS MINIMUM DESIGN REQUIREMENTS FOR GUARDRAILS ALONG GRAVEL TRAILS. ACTUAL DESIGN FOR SITE SPECIFIC CONDITIONS WILL NEED TO BE DESIGNED BY A PROFESSIONAL REGISTERED IN THE STATE OF WASHINGTON.
- B. ALL STEEL AND WWF SHALL BE A36 STRUCTURAL, HOT DIP-GALVANIZED, UNLESS NOTED OTHERWISE.
- C. FOOTING DESIGN MAY VARY PER SITE CONDITIONS.
- D. REFERENCE DETAIL 2840.04 FOR FOUNDATION AND POST BASE DETAILS.
- E. ALL HARDWARE, PLATES, WWF, AND FASTENERS SHALL BE HOT DIP GALVANIZED.
- F. WHERE TRAIL SLOPES, POSTS AND VERTICAL RAILS SHALL REMAIN PLUMB. HORIZONTAL RAILS SHALL BE SLOPED TO MATCH GRADE OF TRAIL.
- G. BROWN PRESSURE TREATMENT SHALL BE USED ON ALL PRESSURE TREATED WOOD.
- H. CONTRACTOR SHALL SUBMIT DETAILED SHOP DRAWINGS PRIOR TO CONSTRUCTION. SHOP DRAWINGS SHALL SHOW ALL TRANSITIONS, JOINTS, AND PANEL SECTIONS AT BOTH HORIZONTAL AND VERTICAL CURVES.
- I. ALL LUMBER SHALL BE DF-2. REFERENCE WSDOT SPECS FOR GRADE STAMP AND SUBMITTAL REQUIREMENTS.
- J. WHERE PREFABRICATED METAL CONNECTORS ARE SHOWN, USE FASTENERS IN ALL OPEN HOLES AS RECOMMENDED BY MANUFACTURER.