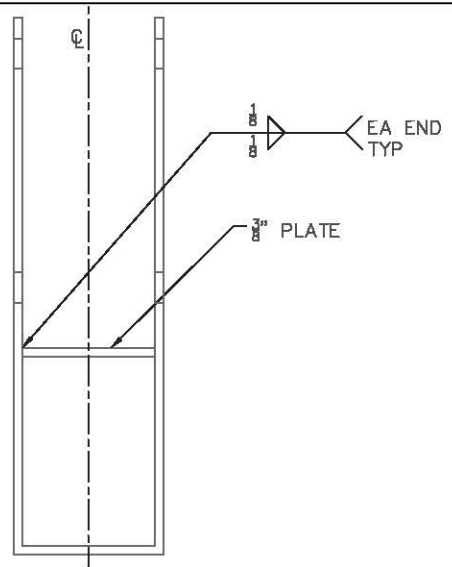
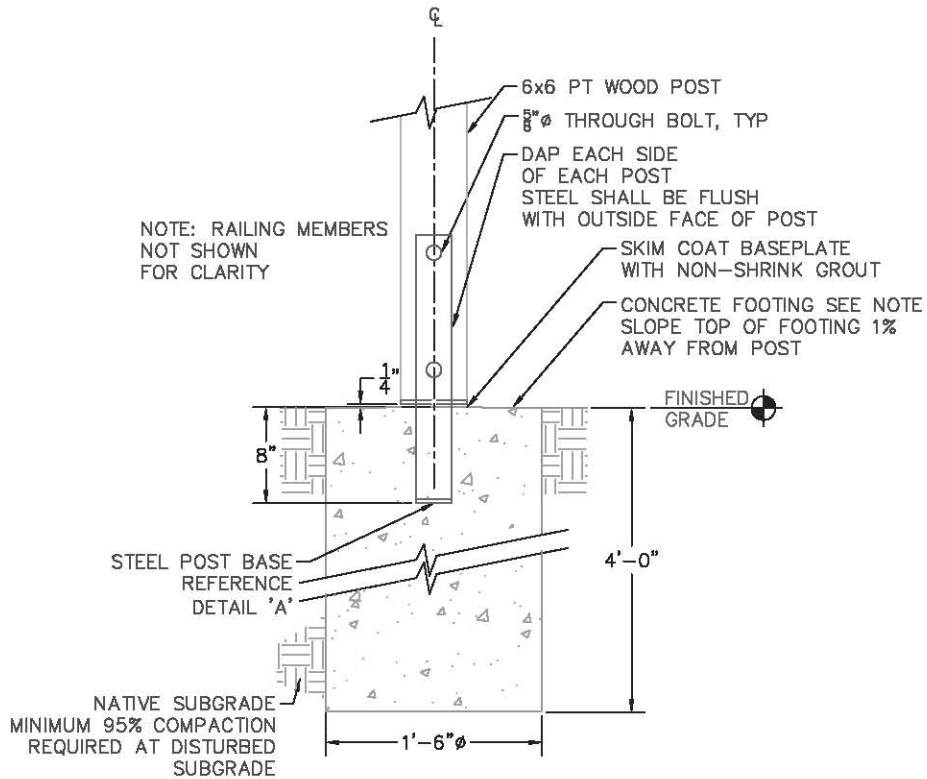


(A) POST BASE SIDE VIEW



(B) POST BASE FRONT VIEW



GUARDRAIL FOUNDATION

NOTES:

- A. ALL STEEL SHALL BE A36 STRUCTURAL UNLESS NOTED OTHERWISE.
- B. FOOTING DESIGN MAY VARY PER SITE CONDITIONS.
- C. REFERENCE NOTES ON DETAIL 2840.05 FOR ADDITIONAL REQUIREMENTS.
- D. NO FIELD WELDS ARE PERMITTED.

PARKS AND RECREATION
DESIGN AND DEVELOPMENT

CITY OF BELLINGHAM
WOOD GUARDRAIL
FOUNDATION & POST BASE

DRAWING
2840.04