

**CONTROL JOINT & TAPED
EDGE DETAIL**
SCALE: 1"=1'-0"

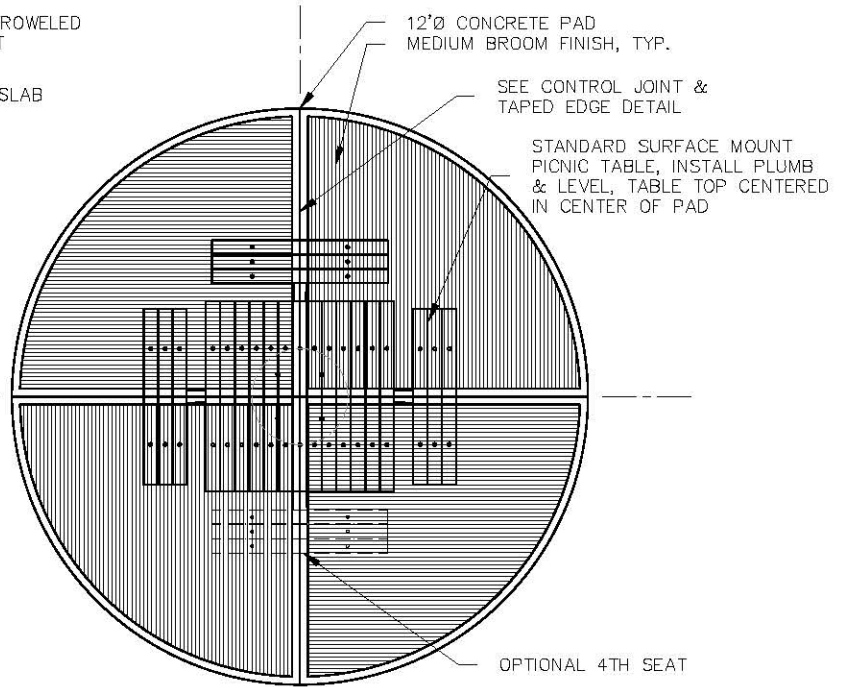


TABLE & CONCRETE PAD - PLAN
SCALE: 1/4"=1'-0"

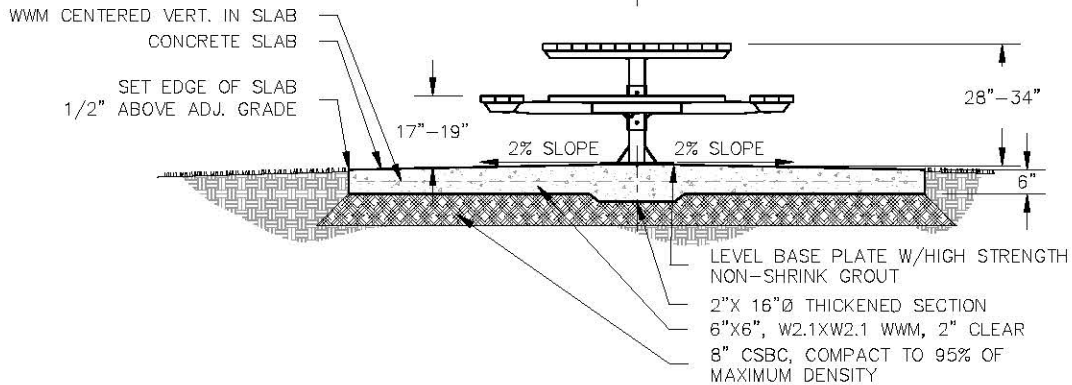


TABLE & CROWNED CONCRETE PAD - SECTION
SCALE: 1/4"=1'-0"

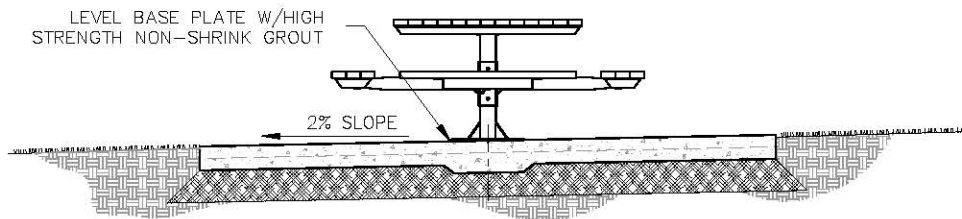


TABLE & OPTIONAL CROSS SLOPED CONCRETE PAD - SECTION
SCALE: 1/4"=1'-0"

NOTES:

- A. LOCATE TABLE AND CONCRETE SLAB AS SHOWN ON THE PLANS, OR AS DIRECTED BY THE PARK PROJECT MANAGER.
- B. INSTALL PICNIC TABLE PLUMB AND LEVEL.
- C. ORIENT TABLE AS SHOWN ON THE PLANS.
- D. SEE DESIGN STANDARDS PARK NARRATIVE 02870.00 FOR TABLE SPECIFICATIONS.
- E. USE FASTENERS RECOMMENDED BY THE MANUFACTURER FOR SURFACE MOUNT APPLICATION.
- F. CONCRETE PER WSDOT STANDARD SPECIFICATIONS
- G. PROVIDE POSITIVE DRAINAGE.

**PARKS AND RECREATION
DESIGN AND DEVELOPMENT
APRIL 21, 2010**

**CITY OF BELLINGHAM
CONCRETE PAD
& A.D.A. PARK PICNIC TABLE**

**DRAWING
02870.03**