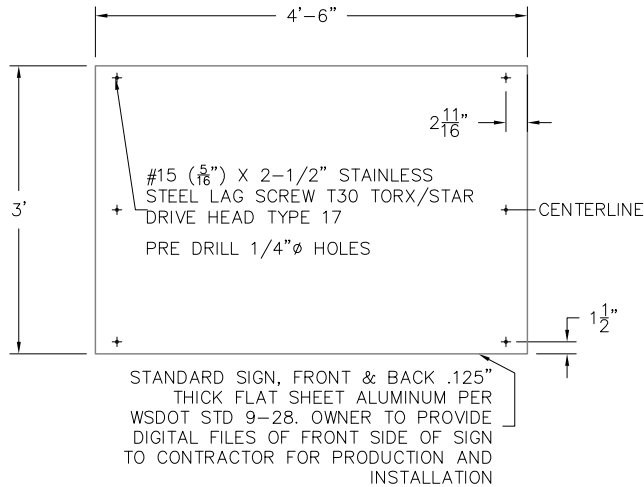


SIGN TEXT LAYOUT  
(SCALE 1/2" = 1'-0")



SIGN PANEL LAYOUT  
(SCALE 1/2" = 1'-0")

NOTES:

- A. REFERENCE DRAWING 10430.01\_ALT 1 FOR NEIGHBORHOOD PARK SIGN ELEVATION VIEW.
- B. INSTALL SIGN PLUMB AND LEVEL.
- C. CLEAR, WEED, GRADE, MULCH, OR SEED SURROUNDING SITE AS SPECIFIED. RESTORE DISTURBED AREA IN ACCORDANCE WITH PARK STANDARDS.
- D. ALUMINUM SIGN PANEL SHALL COMPLY WITH WSDOTSS 9-28.8
- E. ALL FASTENERS SHALL BE GALVANIZED OR STAINLESS STEEL. SIGN PANEL FASTENERS SHALL COMPLY WITH WSDOTSS 9-28.11.
- F. COLORS SHALL BE AS FOLLOWS:  
SIGN GRAPHICS: SHALL BE PRODUCED FROM DIGITAL FILES PROVIDED BY THE OWNER AND PROVIDED TO THE CONTRACTOR FOR PRODUCTION AND ASSEMBLY, AND PLOTTED ON A TRAFFIC GRADE VINYL SELF ADHESIVE MEDIUM THAT MEETS WSDOT STANDARDS. THE FINISH SHALL BE NON-REFLECTIVE.

PARKS AND RECREATION  
DESIGN AND DEVELOPMENT  
APRIL 19, 2018

CITY OF BELLINGHAM  
NEIGHBORHOOD PARK SIGN-MOD 1  
SIGN PANEL/GRAPHICS

DRAWING  
10430.03  
ALT 1