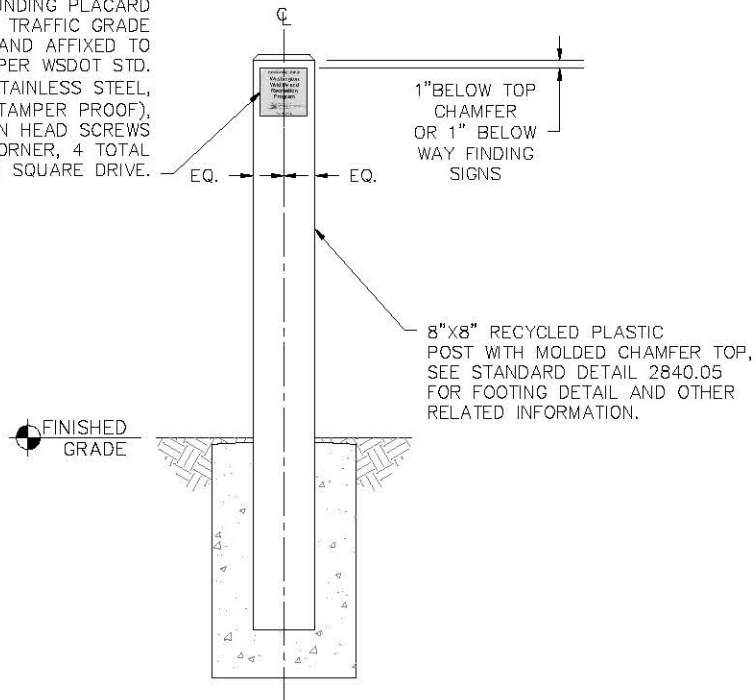
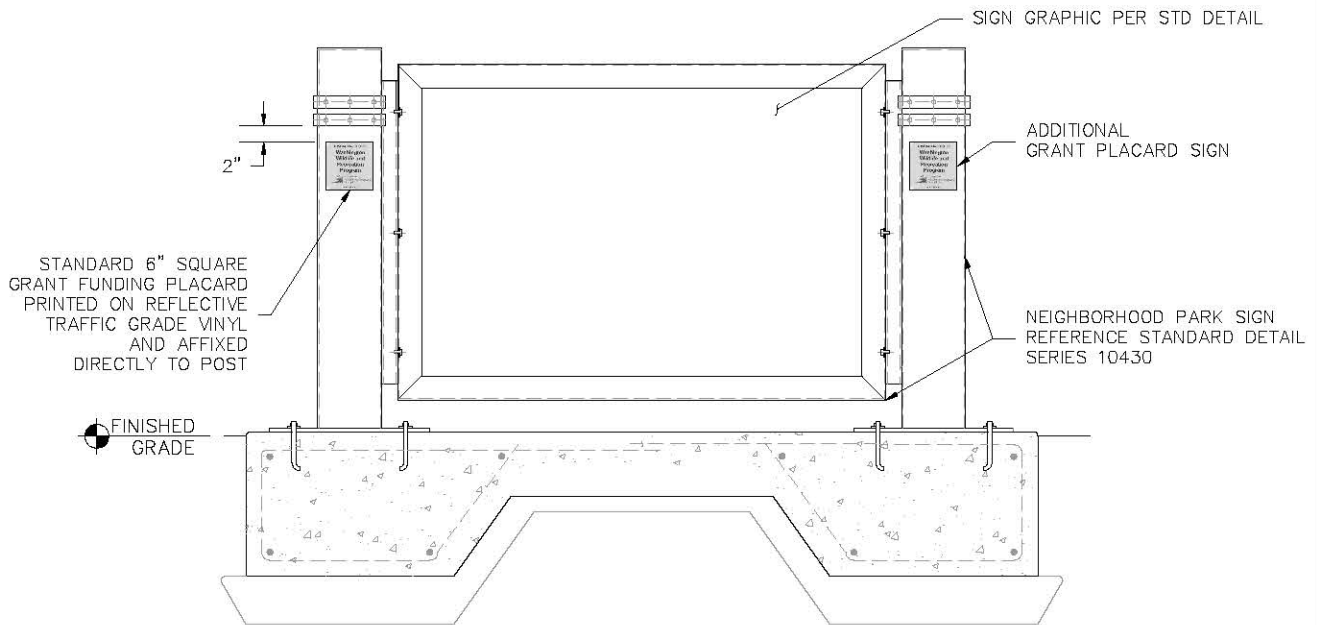


6" SQUARE GRANT FUNDING PLACARD
 PRINT ON TRAFFIC GRADE
 REFLECTIVE VINYL AND AFFIXED TO
 ALUMINUM SIGN BACKING PER WSDOT STD.
 HARDWARE: #6 X3/4" STAINLESS STEEL,
 #1 SQUARE HEAD (TAMPER PROOF),
 PAN HEAD SCREWS
 AT EACH CORNER, 4 TOTAL
 USE #1 SQUARE DRIVE.



WAY FINDING POST
 FRONT ELEVATION
 SCALE 1/2" = 1'-0"



NEIGHBORHOOD SIGN
 FRONT ELEVATION
 SCALE 1/2" = 1'-0"

NOTES:

- A. REFER TO PARK STANDARD DETAIL 10430 SERIES FOR SPECIFIC FABRICATION/CONSTRUCTION INFORMATION.
- B. THIS DETAIL IS APPLICABLE AT PARK FACILITIES WHERE PLACARD SIGNS ARE REQUIRED PER A GRANT AGREEMENT BETWEEN THE CITY OF BELLINGHAM AND THE GRANTING AGENCY.
- C. ALL FASTENERS SHALL BE GALVANIZED OR STAINLESS STEEL.
- D. GRAPHIC FILE TO BE PROVIDED BY PARK PROJECT MANAGER.

PARKS AND RECREATION
 DESIGN AND DEVELOPMENT
 JANUARY 31, 2012

CITY OF BELLINGHAM
 GRANT PLACARD PLACEMENT
 SCALE: 1/2" = 1'-0"

DRAWING
 10430.08