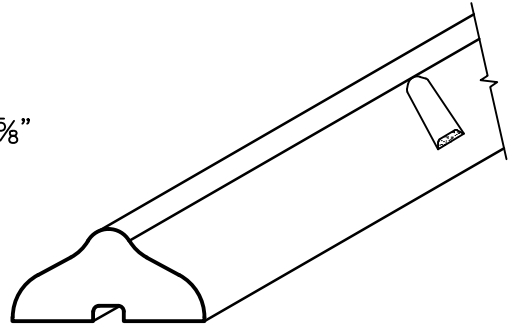
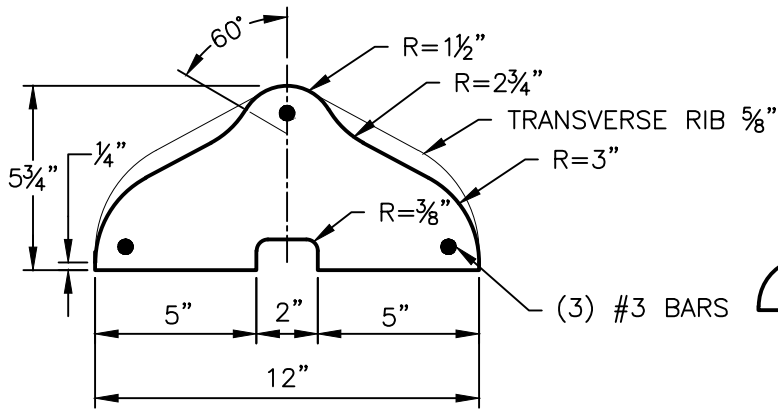
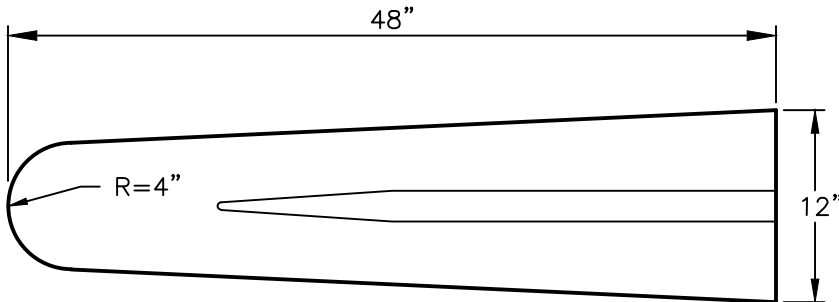


PLAN

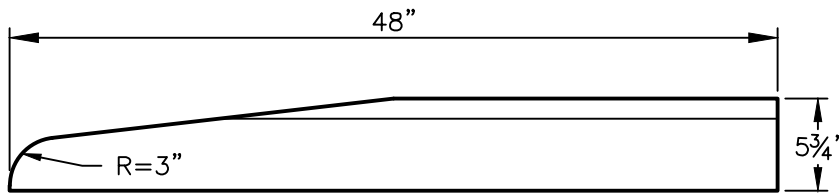


SECTION



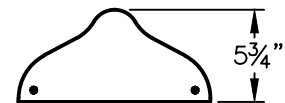
PLAN

TYPE 'C' NOSING



ELEVATION

TYPE 'C' NOSING
(NTS)



APPROVED

City Engineer

Date

CITY OF BELLINGHAM

TRAFFIC CURB

DRAWING

CG-202