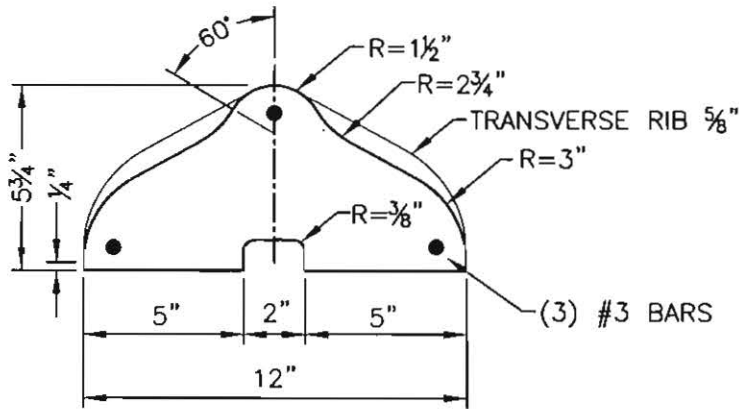
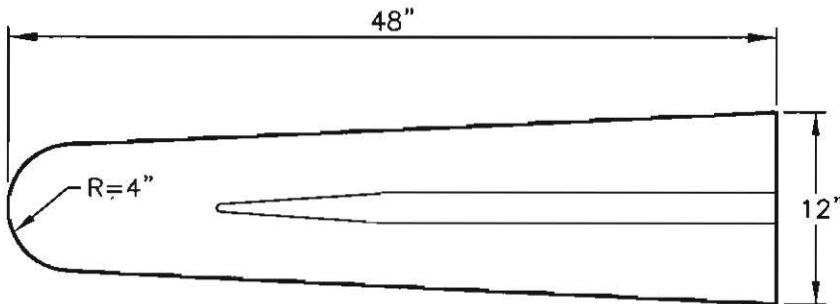
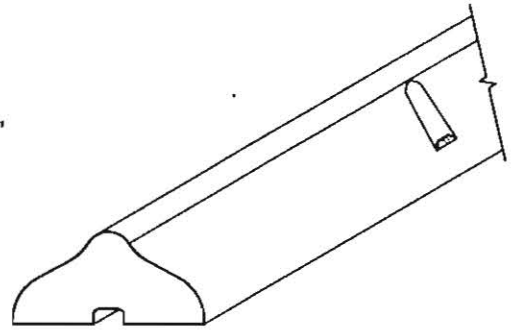


**PLAN**

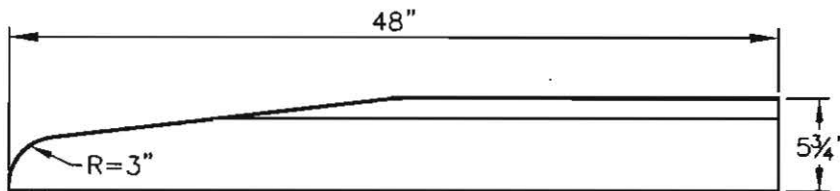


**SECTION**



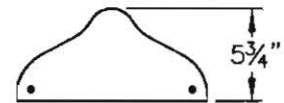
**PLAN**

TYPE 'C' NOSING



**ELEVATION**

TYPE 'C' NOSING



APPROVED

City Engineer

5/28/09

Date

CITY OF BELLINGHAM

TYPE 'C' TRAFFIC CURB

DRAWING

CG-202