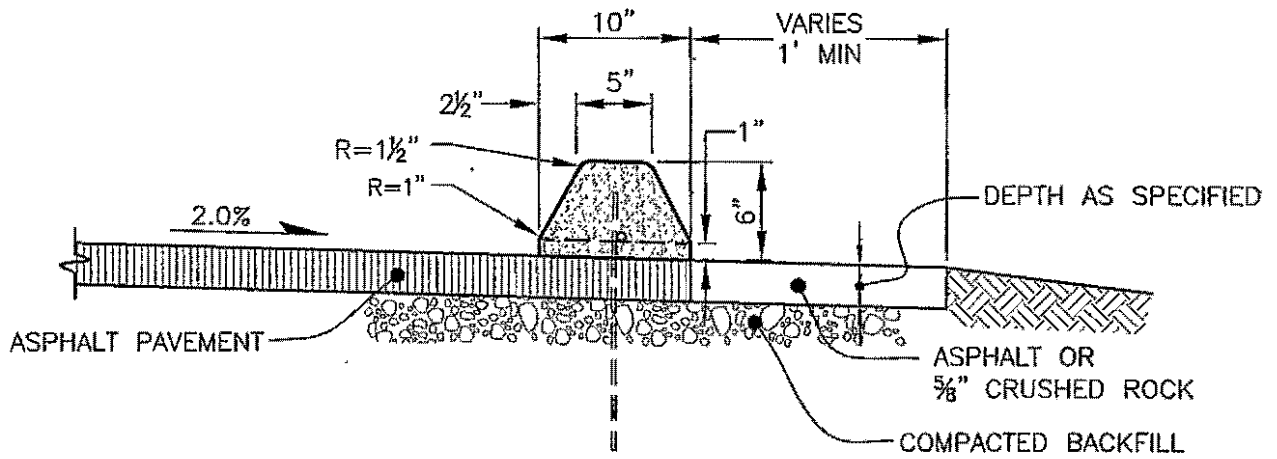
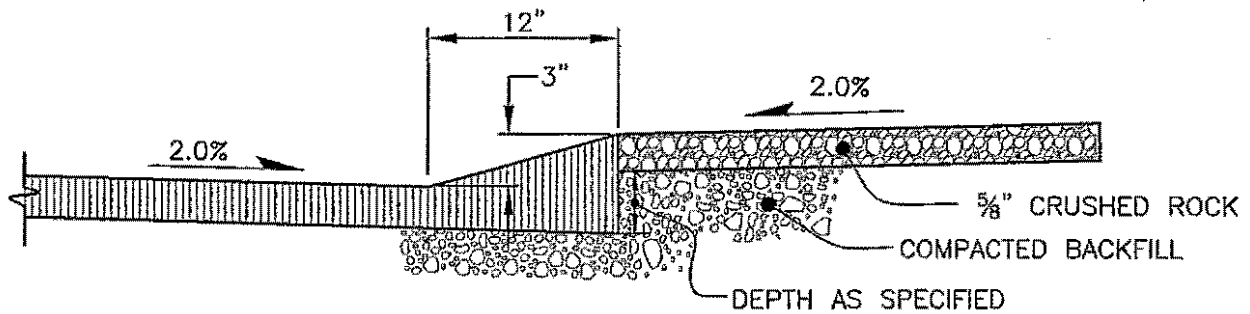


THICKENED EDGE FOR ASPHALT PAVEMENT



EXTRUDED ASPHALT CONCRETE CURB



ASPHALT WEDGE CURB

APPROVED

Royal P. Smith
City Engineer

11/29/04

Date

CITY OF BELLINGHAM
EXTRUDED ASPHALT
CONCRETE SECTIONS

DRAWING
CG-216