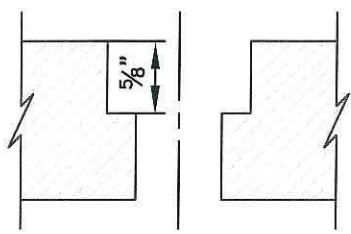
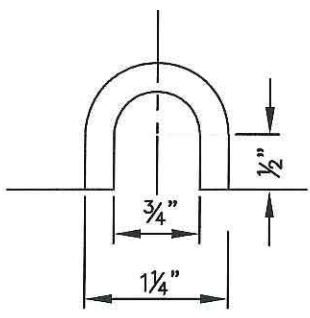
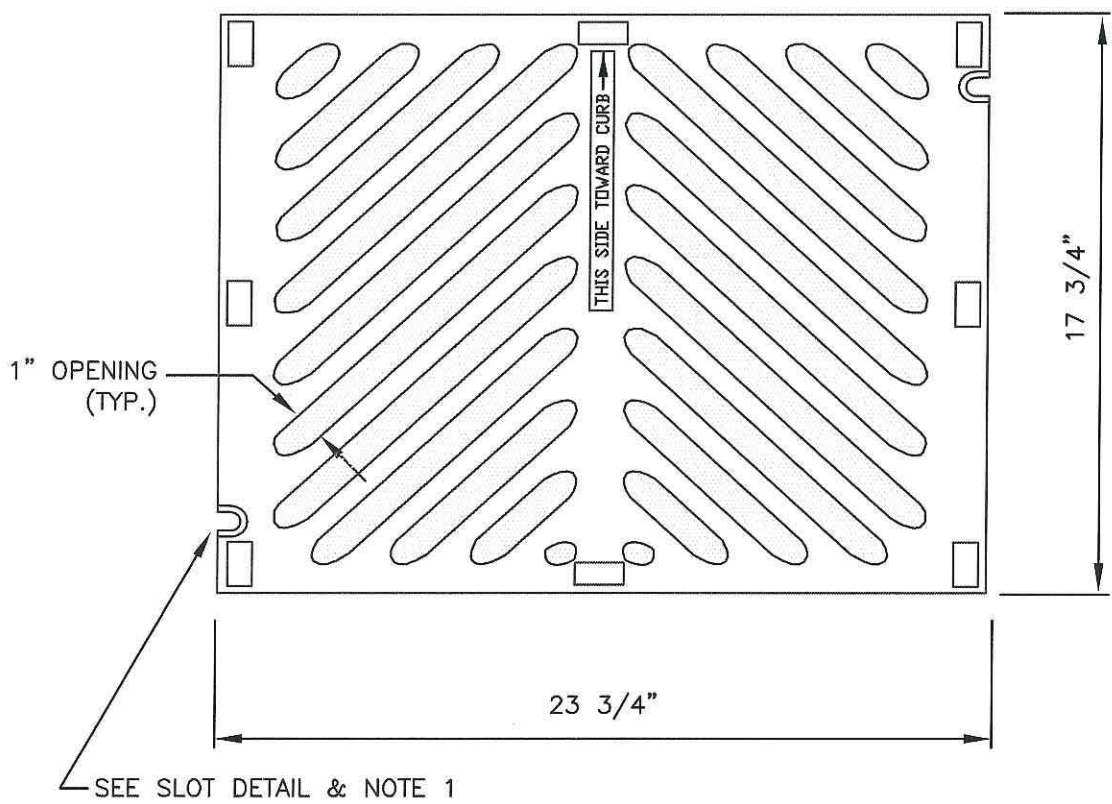



8 LEVELING PADS
2" x 1/8" x 1/8"



SLOT DETAIL

NOTES

1. WHEN BOLT DOWN GRATES ARE SPECIFIED IN THE CONTRACT, PROVIDE TWO SLOTS IN THE GRATE THAT ARE VERTICALLY ALIGNED WITH THE HOLES IN THE FRAME. LOCATION OF BOLT DOWN SLOTS VARIES AMONG DIFFERENT MANUFACTURERS.
2. REFER TO STANDARD SPECIFICATION 9-05.15(2) FOR ADDITIONAL REQUIREMENTS.
3. FOR FRAME DETAILS, SEE STANDARD PLAN B-2A.
4. THE THICKNESS OF THE GRATE SHALL NOT EXCEED 1 5/8"

APPROVED

 City Engineer
 Date 5/29/14

CITY OF BELLINGHAM
 HERRINGBONE GRATE FOR
 CATCH BASINS AND INLETS

DRAWING
 DR-502