

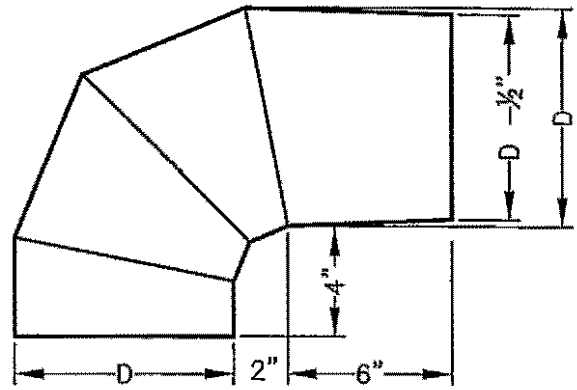
NOTE:

TRAP TO BE MADE OF 22 GA. GALVANIZED SHEET METAL.

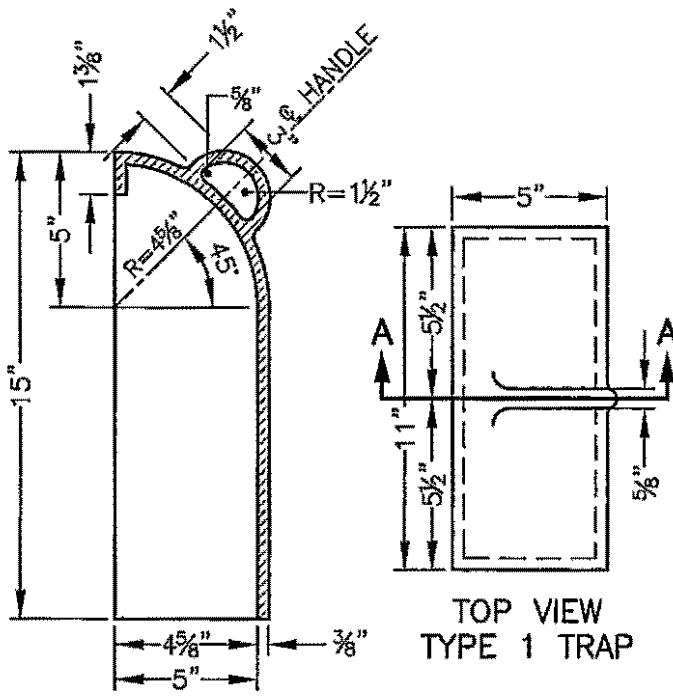
ALL JOINTS TO BE SEAMED AND SOLDERED.

ALL LONGITUDINAL JOINTS TO BE RIVETED.

DIMENSION "D" IS NOMINAL DIAMETER OF OUTLET PIPE.

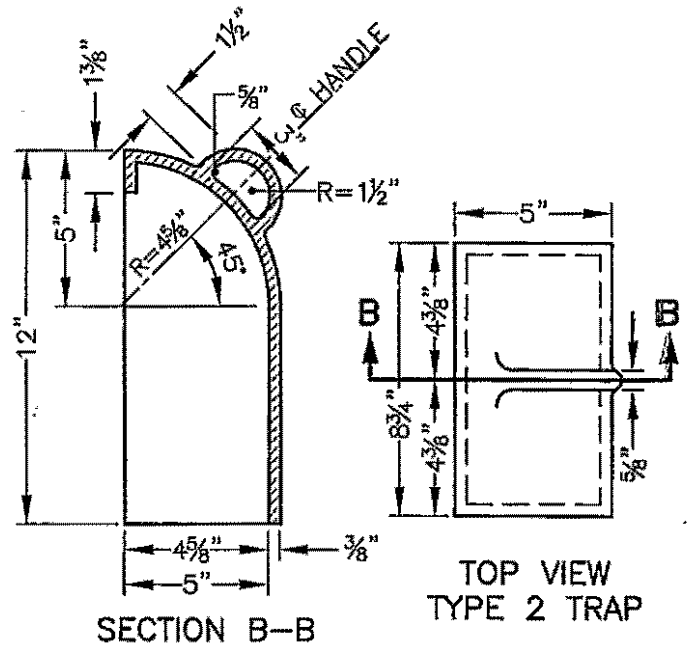


TYPE 60A TRAP



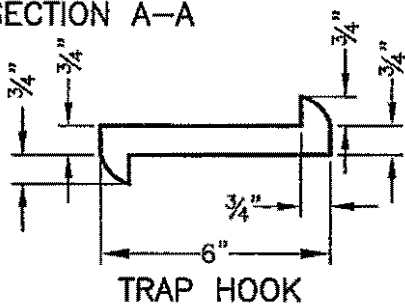
TOP VIEW
TYPE 1 TRAP

SECTION A-A



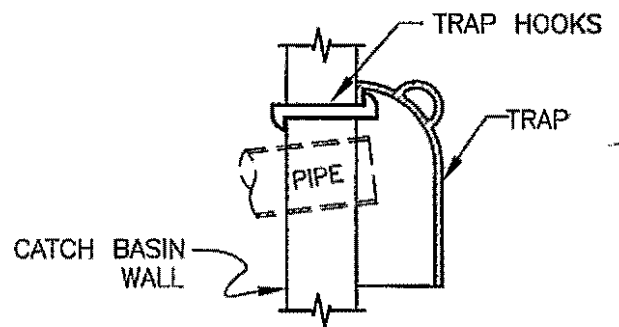
TOP VIEW
TYPE 2 TRAP

SECTION B-B



TRAP HOOK

TRAP HOOKS MAY BE ROUND OR SQUARE IN CROSS-SECTION



TRAP
INSTALLATION

TYPE 60B-1 TRAP TO BE USED WITH 8" ID OUTLET PIPE.

TYPE 60B-2 TRAP TO BE USED WITH 4" OR 6" ID OUTLET PIPE.

TRAP MAY BE CAST IRON ASTM DESIGNATION A48 CLASS 25 OR CAST STEEL ASTM DESIGNATION A27 GRADE 70-36.

APPROVED
Royal Routh
City Engineer

11/29/04
Date

CITY OF BELLINGHAM
TYPE 60A AND TYPE 60B
OUTLET TRAP

DRAWING
DR-515