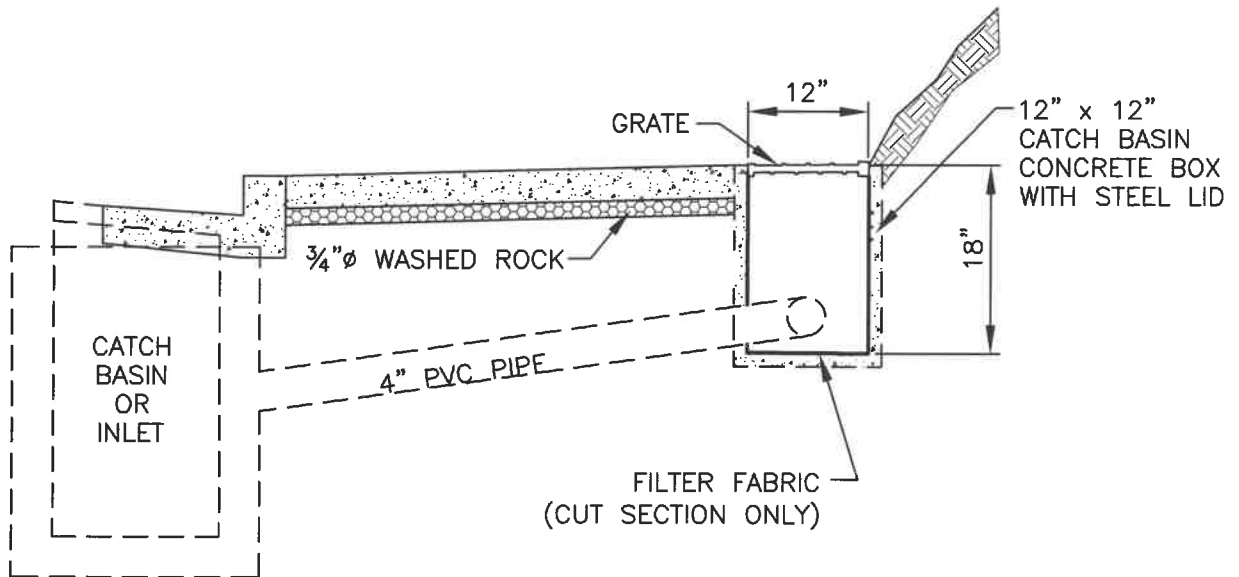
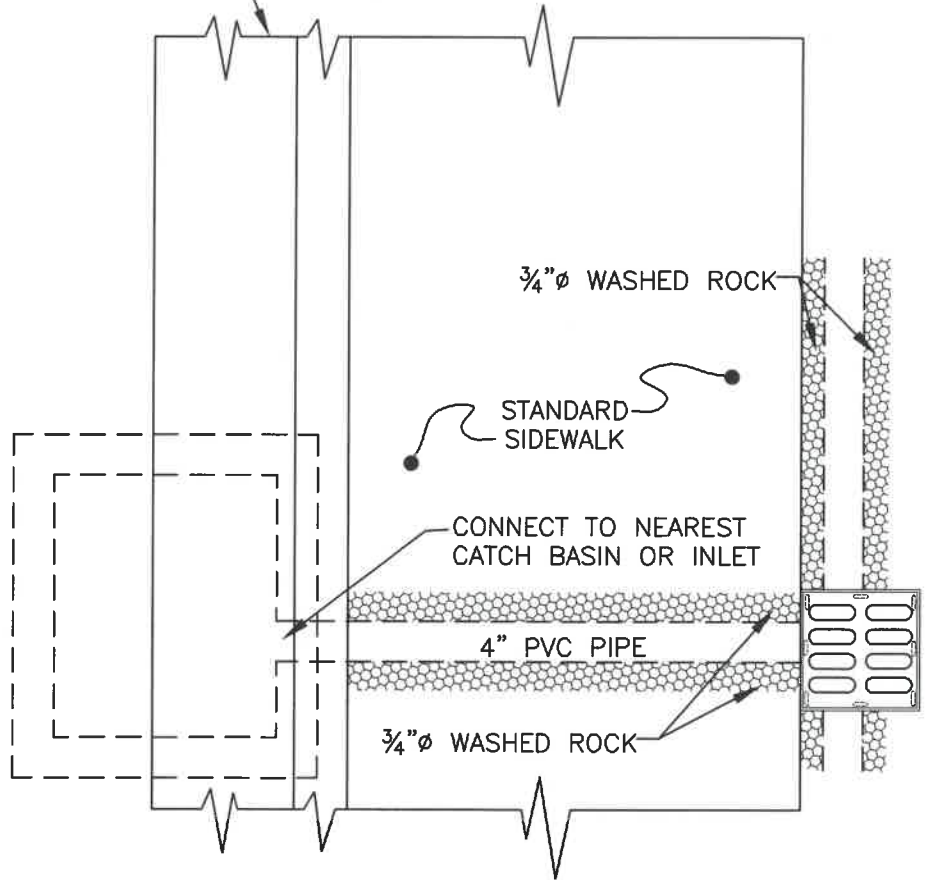


STANDARD CURB & GUTTER

NOTES:

1. SIDEWALK DRAIN TO BE USED WHENEVER THE SIDEWALK IS IN CUT SECTION UNLESS OTHERWISE APPROVED BY THE CITY ENGINEER.
2. USE PERFORATED PIPE AND FILTER FABRIC IN CUT SECTIONS.
3. USE NON PERFORATED PIPE WITHOUT FILTER FABRIC WHEN CARRIED THROUGH NON-CUT AREAS.
4. FILTER FABRIC TO BE INSTALLED BETWEEN THE SOIL AND THE 3/4"Ø WASHED ROCK.



APPROVED

City Engineer

31 Aug 2020

Date

CITY OF BELLINGHAM

**CUT SECTION
SIDEWALK DRAIN**

DRAWING

DR-520