



DESIGN STANDARDS FOR: SITE FURNISHINGS

Trash and recycle receptacle manufacturer and model shall be selected as appropriate for the site as determined by the Park Project Manager from one of the following options:

1. Urban Accessories, Inc., or approved equal, as follows:
 - a. Model: RR-55 (no door)
 - b. Finish: Polyester Powder Coat, semi-gloss
 - c. Color: Black for trash, Florentine Blue for recycle
 - d. Recycle bin shall include City of Bellingham downtown standard "recycle" decal to be provided by Park Project Manager.
 - e. Installation: Custom surface mount.
 - i. Attachment detail shall be provided by manufacturer in coordination with contractor.
 - ii. Provide shop drawings to Park Project Manager for approval prior to fabrication.

2. Rubbermaid, or approved equal, as follows:
 - a. Model: BRUTE utility Container FG263200, 32 gallons. Cut handles off to fit the Urban Accessories RR-55 holder.
 - b. Color: TBD by Park Project Manager
 - c. Accessories: BRUTE dome top for 32 gallons BRUTE container. Attach lid to container with 3/32" SS clear vinyl coated 12" long cable & SS sleeve clamp, each end.
 - d. All cut surfaces shall be smooth to the touch.

3. CleanRiver Recycling Solutions “Rollout Enclosure” with custom dimensions as noted or approved equal.
 - a. Custom bin dimension shall accommodate Sanitary Service Company’s standard containers.
 - b. Three bins shall be provided. One for recycle, one for compost, and one for trash.
 - c. Example product size, color and dimension is included in Figure 1, below.
 - d. Receptacle shall be front deposit, suitable for indoor/outdoor use, ADA accessible, lockable, made of pre-molded HDPE lumber material, UV rated, with a 3-year comprehensive warranty on hinges, fading, fasteners, connections, and materials.



FIGURE 1. Sample Waste Enclosures

Fixed Tables

1. Unless noted otherwise, fixed tables shall be surface mount center post type by Victor Stanley, Inc (1-800-368-2573, <http://www.victorstanley.com/>), model CP-3 on accessible pathways or CP-4 in other areas, unless otherwise specified by the Park Project Manager, 4ft square top, or approved equal.
 - a. Tabletop and bench slats shall be wood pine, ironwood, IPE or similar as approved by City of Bellingham Parks.
 - b. If pinewood is used, pinewood shall be painted with one coat primer, two coats color. Reference specification 09911 for exterior paint specification.
 - c. Metal frame shall be black powder coated.

Fixed Benches

1. Unless noted otherwise on plans, benches shall be park standard. See standard park details.
2. Benches shall be provided at intervals of no less than 200 feet of trail length unless specified otherwise by Park Project Manager. Other location considerations may include:
 - a. Viewing areas
 - b. Entrances, top or bottom of slopes
 - c. Entrances to buildings
 - d. Around playgrounds
 - e. Other desirable locations

Moveable Tables

1. Unless noted otherwise, moveable tables shall be Extra Heavy Duty XT series by Pilot Rock (1-800-762-5002, <http://www.pilotrock.com/>), 8ft length with end accessible seating, or approved equal.
 - a. Table top and bench slats shall be wood pine, ironwood, Indonesian Balau wood, or similar as approved by City of Bellingham Parks.
 - b. If pinewood is used, pinewood shall be painted with one coat primer, two coats color. Reference specification 09911 for exterior paint specification.
 - c. Metal frame shall be black powder coated.

Bike Rack – See Figure 2

1. The type and size of bike racks for each site must be preapproved by Parks.
 - a. Option 1: “Bike Rail,” surface mounted, by Urban Accessories (<http://www.urbanaccessories.com/>) or approved equal. Please note that Urban Accessories manufactures this items on a project-by-project basis. This item may not be in their published catalog but is still manufactured by their company.
 - b. Option 2: Public Works Bicycle Parking Standard MS-1040 (See Figure 2)

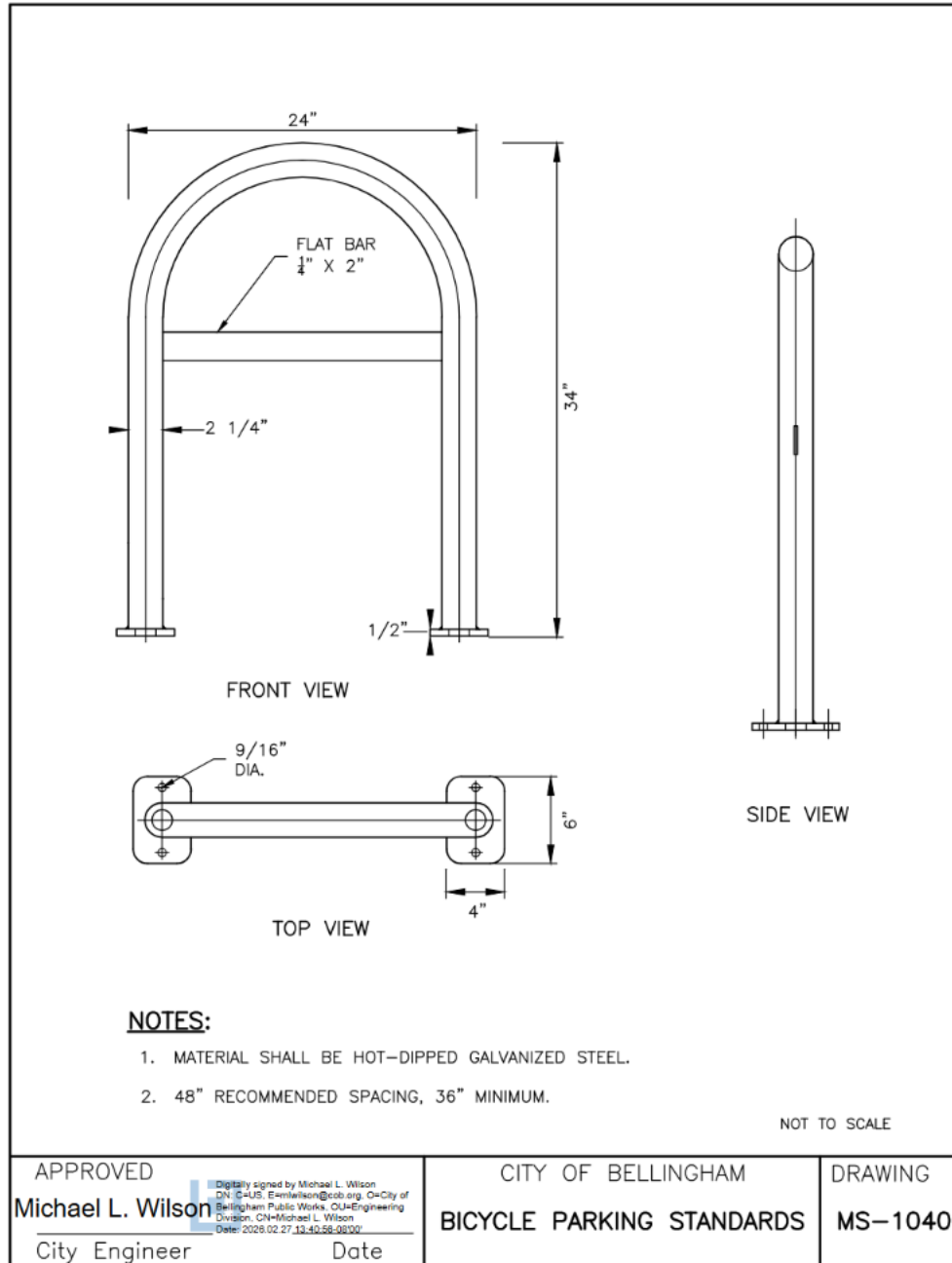


FIGURE 2- Bicycle Parking Standards

Tree Grates

1. Where required by Bellingham Parks, tree grates shall be as follows:
 - a. "Chinook" natural finish with bolt down option as manufactured by Urban Accessories, 877-487-0488, www.urbanaccessories.com, or approved equal
 - b. Approved equal shall be substantially similar in design and material quality. Bellingham Parks shall be the sole judge on whether or not an alternate product manufacturer's product is substantially the same in material design, quality and craftsmanship.
 - c. Size shall be as specified by Bellingham Parks

Trash/Dumpster Enclosures

1. Enclosure surface shall be constructed of asphalt or concrete pavement suitable for heavy truck traffic over a suitably compacted specified structural granular material.
2. Dumpster enclosure dimensions, materials, clearances, and design shall meet all requirements specified by the city's sanitation contractor and approved by the park project manager.
3. Location, turn around, access, and all other elements of design shall be fully coordinated with the Parks Project Manager and the city's sanitation contractor.
4. Preliminary design drawings shall be reviewed and approved by the Parks Project Manager and the city's sanitation contractor before final plans and specifications are submitted for permit approval.

Pet Waste Stations

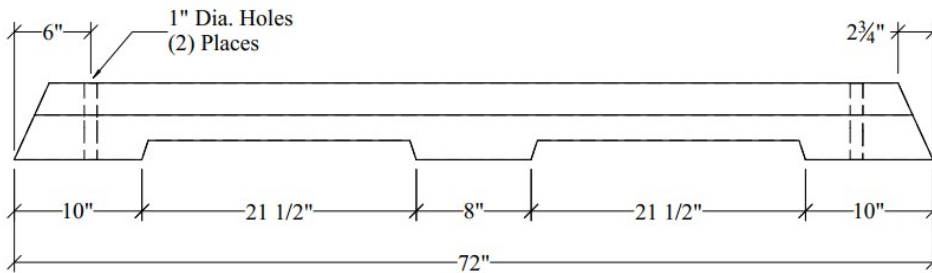
1. Receptacle - Petwasteco PWC-025 Commercial Aluminum Dog Waste Can with Lid:
 - a. This item is compliant with Sanitary Service Company's pick up protocol
 - b. <https://petwasteco.com/commercial-aluminum-dog-waste-can-with-lid/>
2. Waste Bag Dispenser - Step Forward 486 Roll Bag Dispenser:
 - a. <https://stepforwardactivities.org/plastics-pet-waste>
3. Post shall be City of Bellingham Public Works standard metal post 2 inch x 2inch x 9 feet
4. Custom sign shall be 12" x18", sign graphic provided by Park Project Manager. Signs shall include anit-graffiti coating
5. Bags shall be provided by Parks and Recreation Department

Precast Concrete Wheel Stops – See Figure 3

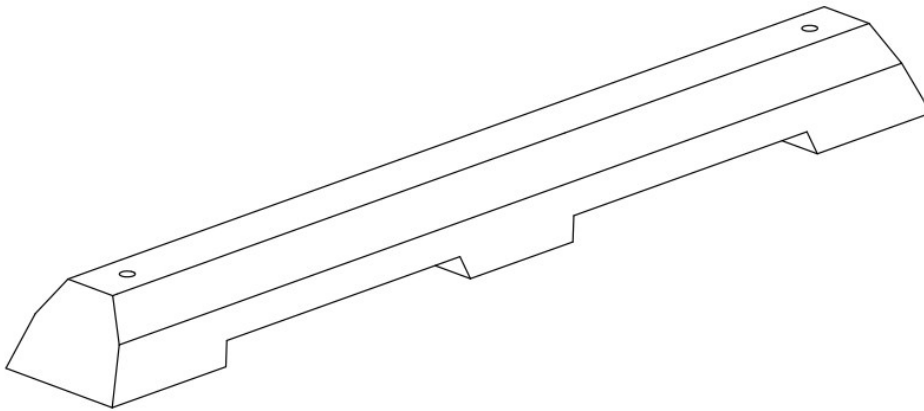
1. Minimum dimensions shall be 6" tall by 6 feet long
2. 9" minimum base width
3. Shall be slotted for drainage along bottom
4. Basis for design: Bode's Precast, Everson, WA (see page 4 of this section)



BODE'S
PRECAST CONCRETE



ELEVATION



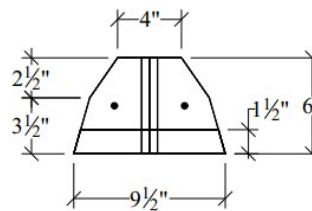
WEIGHT: 210 lbs.

CONCRETE:

F_c = 4,000 psi @ 28 Days

REINFORCING:

(2) - #4 Rebar
ASTM A-615 Grade 60



SECTION

BODE'S PRECAST, INC.
1861 East Pole Rd.
Everson, Wa. 98247
(360) 354-3912

6' Wheel Stop with Drain

Model Number: WS72x9.5x6

Date Issued:

FIGURE 3 – 6' Wheel Stop with Drain

END OF SECTION