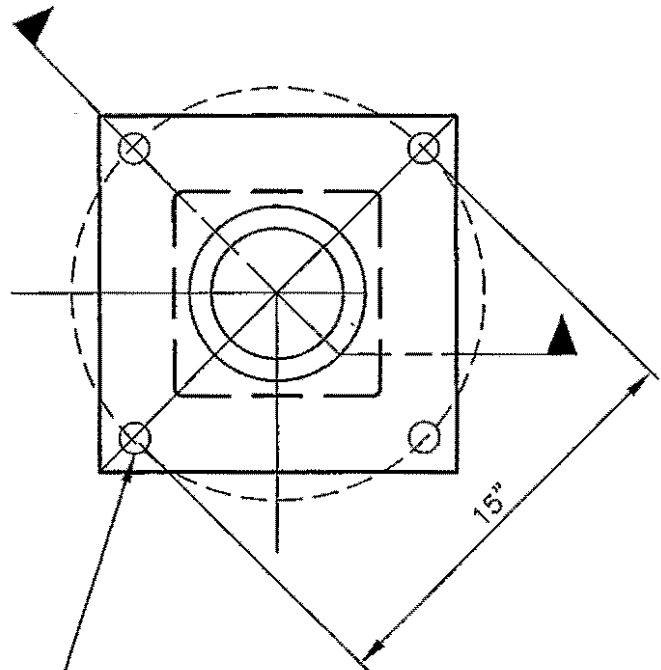


STERNER EX25 HPS  
OR EQUAL

MOUNTING HEIGHT  
=29' 6"

CENTRECON MBQ-9  
OR APPROVED EQUAL



(4) 1 1/4" DIA. HOLES FOR  
1" DIA. ANCHOR BOLTS.

**NOTE:**

AN ILLUMINATION CONTROLLER AND SERVICE CABINET SHALL BE REQUIRED FOR ALL LIGHTING SYSTEMS. USE SECTIONS 8 AND 4-13.22 OF THE DEVELOPMENT STANDARDS FOR ILLUMINATION SYSTEM SPECIFICATIONS.

APPROVED

*Royal Rautava*  
City Engineer

11/29/04

Date

CITY OF BELLINGHAM  
ARTERIAL ALTERNATE  
LUMINAIRE POLE

DRAWING  
EL-408