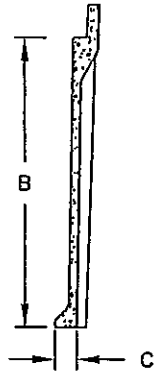
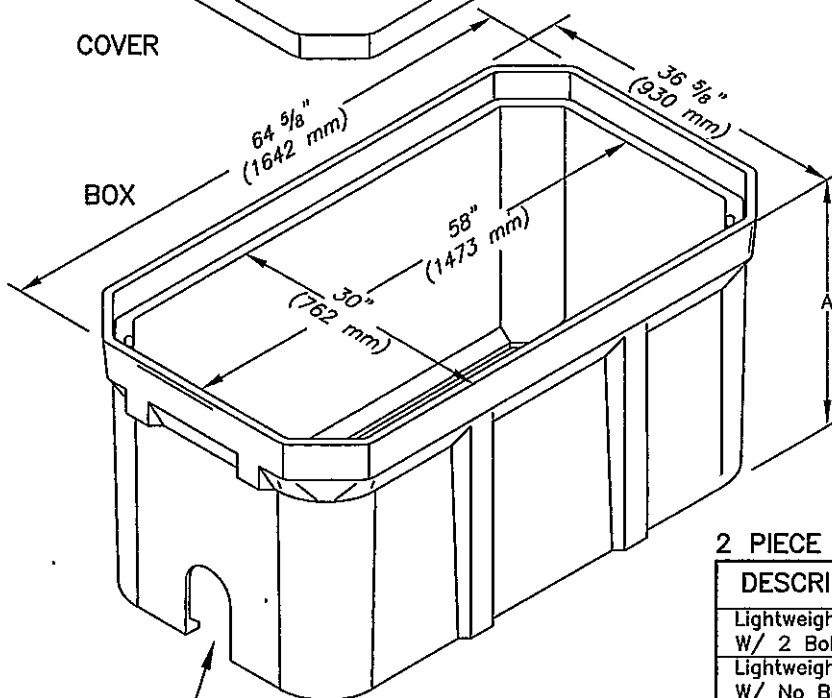
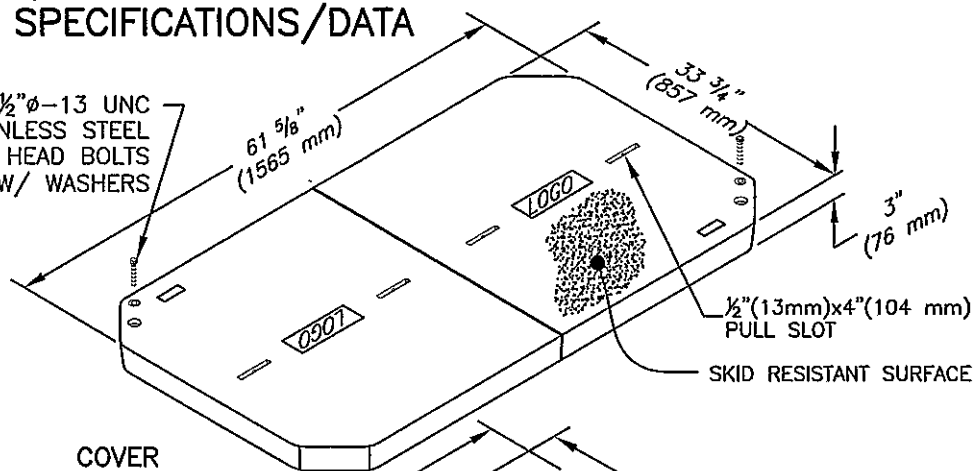


QUAZITE[®] SERVICE BOX SPECIFICATIONS/DATA

30"x60" 'LG' Style (Stackable) Assembly

1/2"φ-13 UNC
STAINLESS STEEL
HEX HEAD BOLTS
W/ WASHERS



OPTIONS:

1. Specific cover logo
2. Green or other colors
3. 1" (25 mm) x 4" (102 mm) Bell pull slot.
4. See Options, Hardware & Meter Lid pages.

2 PIECE COVERS (Blank unless logo is specified)

DESCRIPTION	PART NO.	WEIGHT
Lightweight W/ 2 Bolts	LG3060CA00	234# (106.1 kg)
Lightweight W/ No Bolts	LG3060WA00	234# (106.1 kg)
Heavy Duty W/ 2 Bolts	PG3060HA00	324# (147.0 kg)

BOXES (Stackable)

DESCRIPTION	PART No.	WEIGHT	DIMENSIONS		
			A	B	C
With No Base	LG3060BA21	245# (111.1 kg)	21" (533 mm)	18" (457 mm)	2" (51 mm)
	LG3060BA30	310# (140.6 kg)	30" (762 mm)	27" (686 mm)	2 1/8" (54 mm)
	LG3060BA36	375# (170.1 kg)	36" (914 mm)	33" (838 mm)	2 1/8" (54 mm)
With No Base, (2) Mouseholes	LG3060BB21	239# (108.4 kg)	21" (533 mm)	18" (457 mm)	2" (51 mm)
	LG3060BB30	304# (137.9 kg)	30" (762 mm)	27" (686 mm)	2 1/8" (54 mm)
	LG3060BB36	369# (167.9 kg)	36" (914 mm)	33" (838 mm)	2 1/8" (54 mm)
With Base	LG3060DA21	306# (138.8 kg)	21 1/2" (546 mm)	18" (457 mm)	N/A
	LG3060DA30	371# (168.3 kg)	30 1/2" (775 mm)	27" (686 mm)	N/A
	LG3060DA36	436# (197.8 kg)	36 1/2" (927 mm)	33" (838 mm)	N/A

Dimensions in parenthesis are metric equivalent.

APPROVED
Royal Routh
City Engineer
11/29/04
Date

CITY OF BELLINGHAM
QUAZITE[®] SERVICE BOX

DRAWING
EL-452