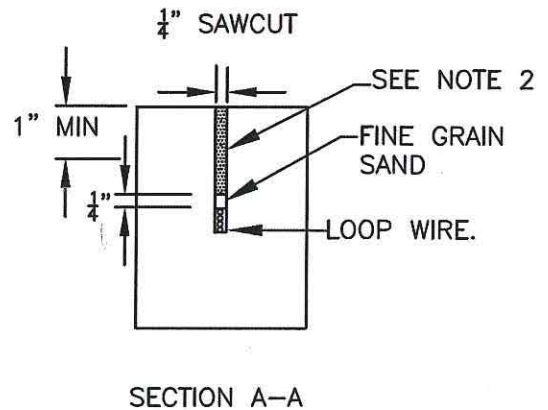
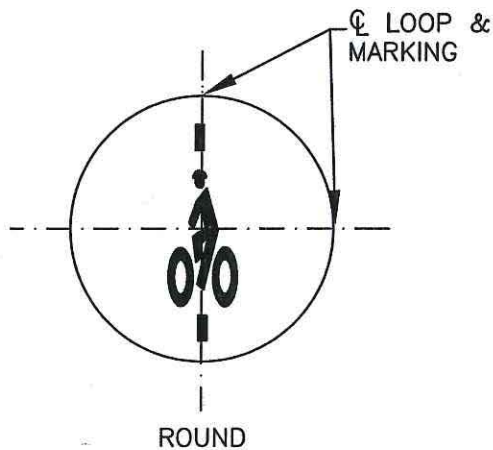


STANDARD LOOP SPACING



NOTES: BICYCLE QUADRIPOLE

1. SEE COB STANDARD PLAN TC-317 FOR BICYCLE DETECTOR PAVEMENT MARKER DETAIL.
2. FILL CUT AFTER VERTICLE PLACEMENT AND TESTING WITH HOT PAVING GRADE LIQUID ASPHALT ASTM D 312 TYPE III OR QUICK SETTING HIGH STRENGTH GROUT.
3. WHEN PLACING BICYCLE DETECTOR MARKING OVER EXISTING TYPE 1 LOOPS, IT SHALL BE PLACED IN THE CENTER OF THE LANE 10' BEHIND THE STOP BAR.

N.T.S.

APPROVED

*[Signature]*  
City Engineer

*5/15/15*  
Date

CITY OF BELLINGHAM  
BICYCLE DETECTOR PAVEMENT  
MARKING LOCATIONS ON  
DETECTOR LOOPS

DRAWING  
EL-464