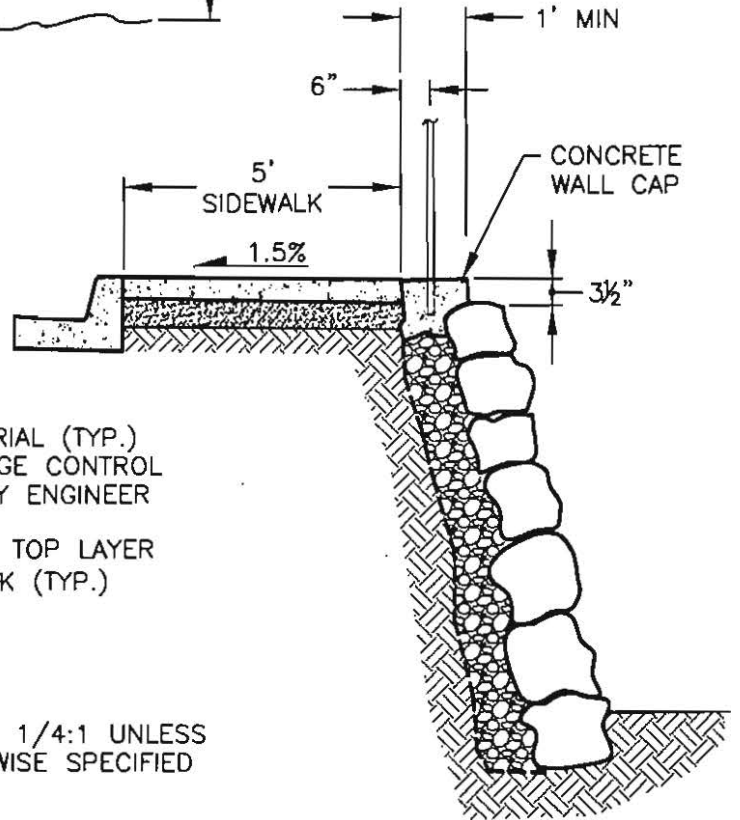
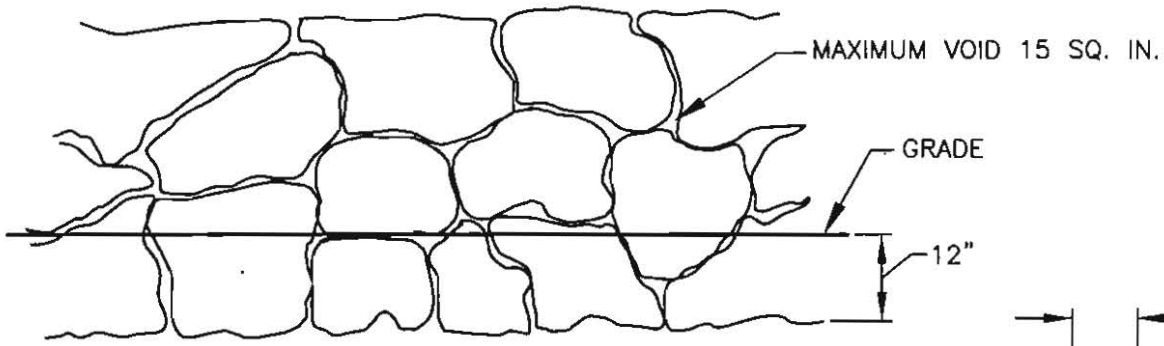
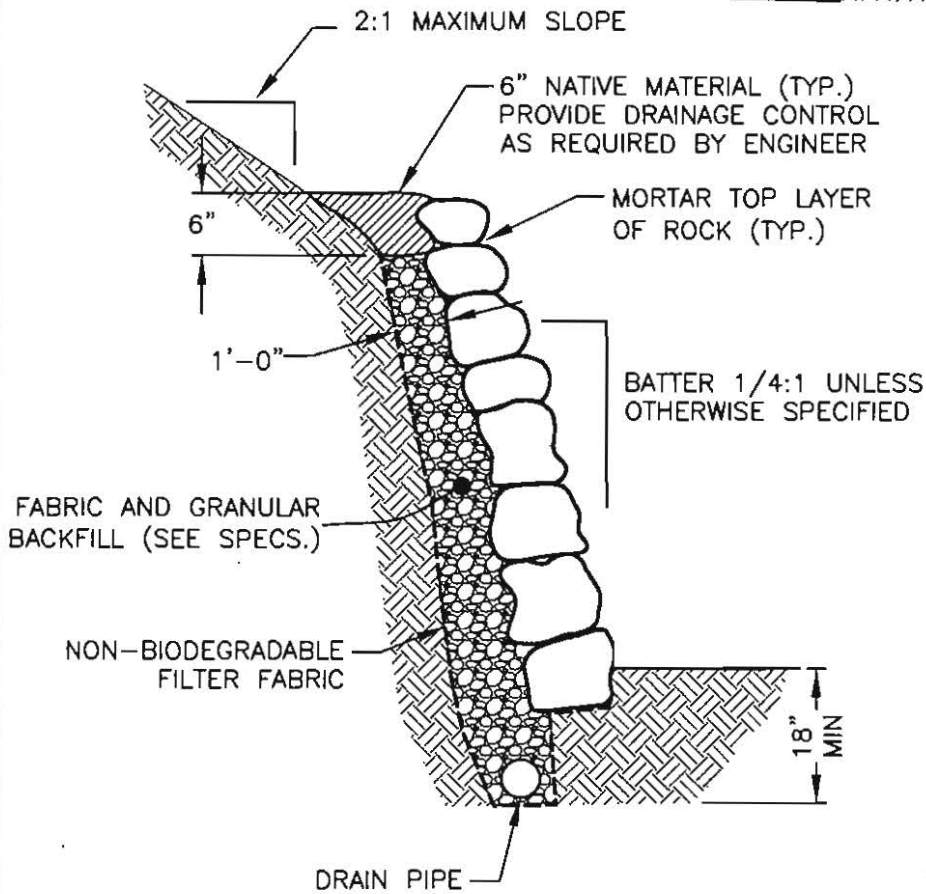


PLACEMENT DETAIL



SECTION



WALLS NOT TO EXCEED 4' IN HEIGHT.

NOTE:

STEEL HANDRAIL REQUIRED WHEN ROCK WALL IS OVER 2 FEET IN HEIGHT MEASURED FROM ORIGINAL GROUND.

APPROVED

 City Engineer

11/12/08
 Date

CITY OF BELLINGHAM
 ROCK WALL DETAILS

DRAWING
 MS-1000