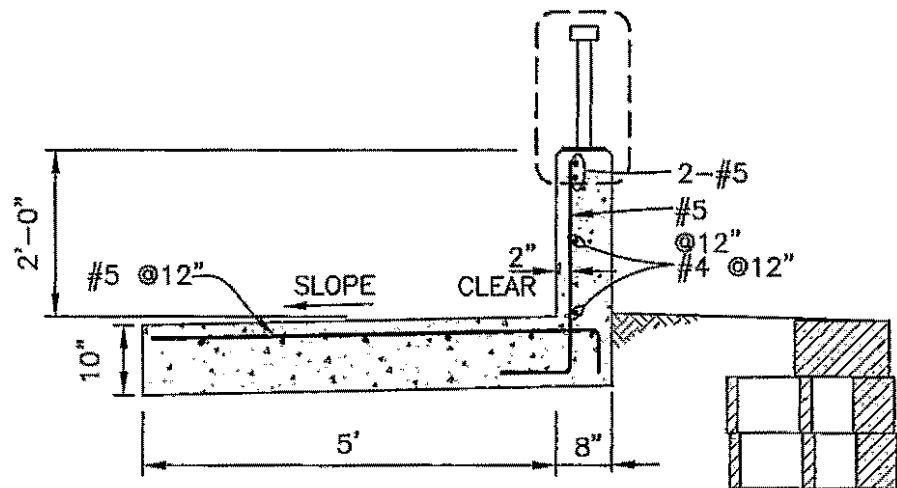


NOTE
CONTROL JOINT TO LINE UP WITH RAIL EXPANSION JOINT.

BARRIER RAIL ELEVATION
N.T.S.



NOTE
CURB NOT SHOWN

SIDEWALK WITH BARRIER RAIL
N.T.S.

APPROVED

Royal Routh
City Engineer

11/29/04
Date

CITY OF BELLINGHAM
BARRIER WALL WITH RAIL

DRAWING
MS-1010