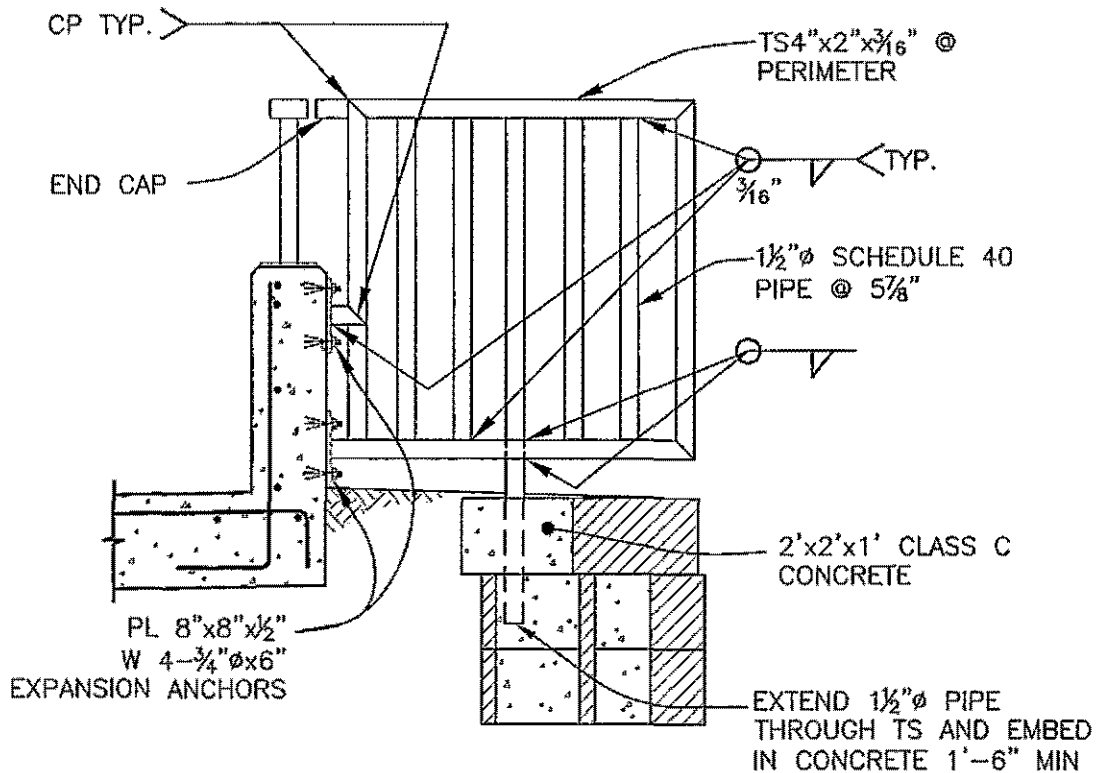


LIGHT BASE IN SIDEWALK WITH BARRIER RAIL



WALL END TREATMENT
N.T.S.

APPROVED
Royal Routh
 City Engineer

11/29/04
 Date

CITY OF BELLINGHAM
 BARRIER WALL WITH RAIL

DRAWING
 MS-1014