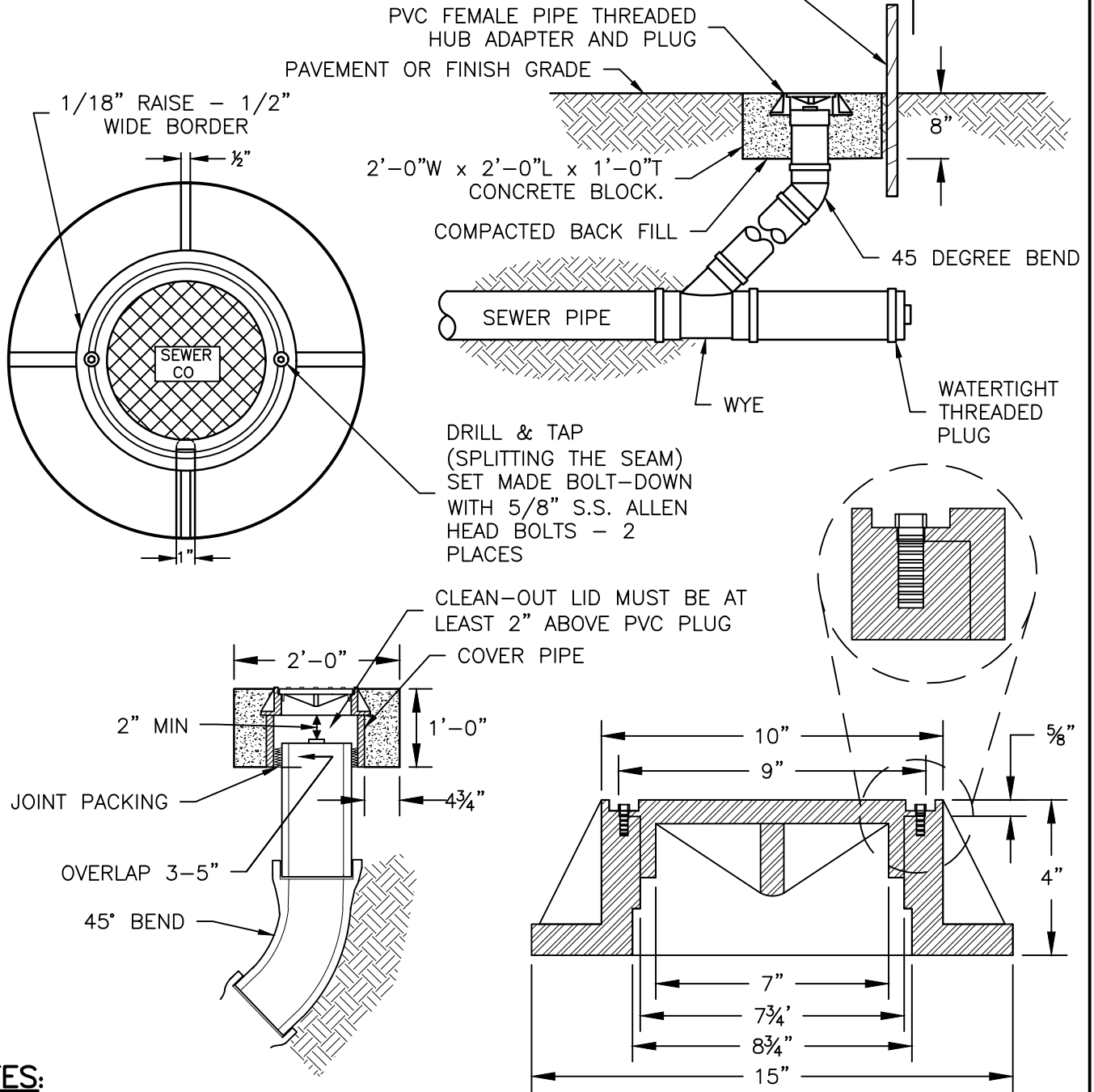


2"x4" STAKE BURIED TO WITHIN 6" ABOVE TOP OF PIPE, EXTEND A MINIMUM OF 3' ABOVE GRADE. PAINT GREEN ABOVE GROUND. MARK 2"x4" STAKE WITH "SEWER" AND DEPTH TO PIPE INVERT FROM FINISHED GROUND LEVEL.

R.O.W. PRIVATE PROPERTY



NOTES:

1. FOR 8" AND LARGER SEWER MAINS THE VERTICAL PORTION OF THE MAIN IS TO BE REDUCED TO 6" BETWEEN THE WYE AND CAST IRON RING AND COVER.
2. IF CLEANOUT IS LOCATED IN ASPHALT, THE CONCRETE BLOCK IS TO BE LEFT APPROXIMATELY 1-1/2" LOW TO ALLOW FOR AN ASPHALT TOPPING OF LIKE MIXTURE AS THE SURROUNDING AREA. IN ALL CASES THE CONCRETE BLOCK WILL BE 12" THICK.

NOT TO SCALE

APPROVED

City Engineer

Date

CITY OF BELLINGHAM
SEWER MAIN AND SIDE SEWER
CLEANOUT

DRAWING
SS-735