

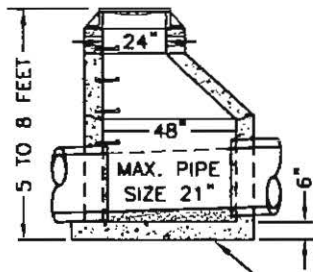
APPROVED
[Signature]
 City Engineer

3/11/10
 Date

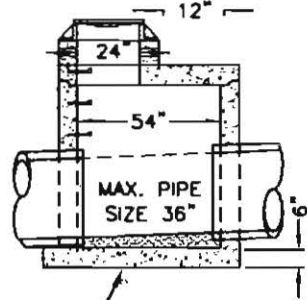
CITY OF BELLINGHAM
 MANHOLE STANDARD

DRAWING
 SS-700

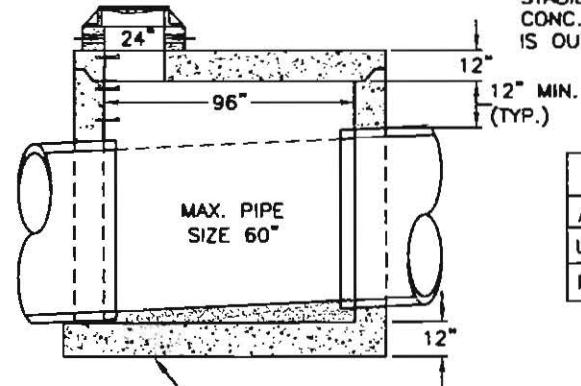
TYPE II-48 MANHOLE



TYPE II-54 MANHOLE



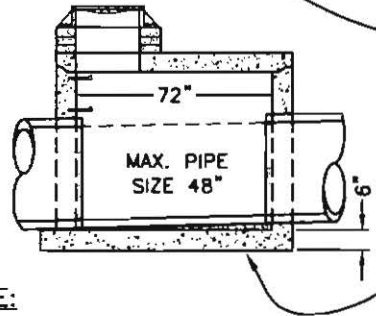
TYPE II-96 MANHOLE



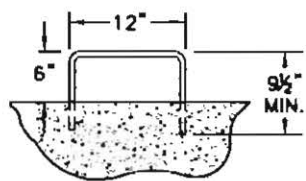
NOTE:
 MANHOLE RING AND LID TO BE STABILIZED WITH A POURED CONC. COLLAR WHEN MANHOLE IS OUTSIDE PAVED SECTION.

| ADJUSTMENT HEIGHTS | | |
|--------------------|------|------|
| AREA | MIN. | MAX. |
| UNPAVED | 12" | 20" |
| PAVED | 4" | 12" |

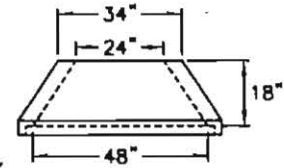
TYPE II-72 MANHOLE



CAST IN PLACE BASE/PRE-CAST BASE
 MANHOLE STEP



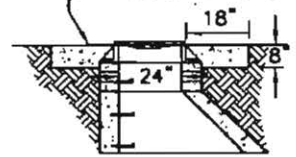
NOTE:
 MANHOLE STEP LEGS SHALL BE PARALLEL OR APPROXIMATELY RADIAL AT THE OPTION OF THE MANUFACTURER, EXCEPT THAT ALL STEPS IN ANY MANHOLE SHALL BE SIMILAR. PENETRATION OF CONCENTRIC COLLAR OUTER WALL IS PROHIBITED.
 FOR MANHOLES 4' OR LESS ONLY



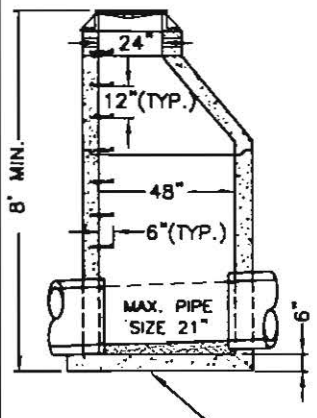
NOTE:
 GRAVEL BASE FOR MANHOLES SHALL BE PER STANDARD SPECIFICATIONS 2-09.3(1)C AND 7-05.3.

NOTE:
 THE MINIMUM WALL THICKNESS SHALL BE 1/12 OF THE INTERNAL DIAMETER OF THE RISER OR LARGEST CONE DIA.

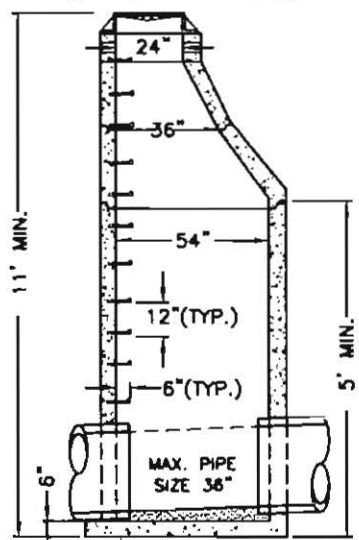
POURED CONCRETE COLLAR, 18"x8"



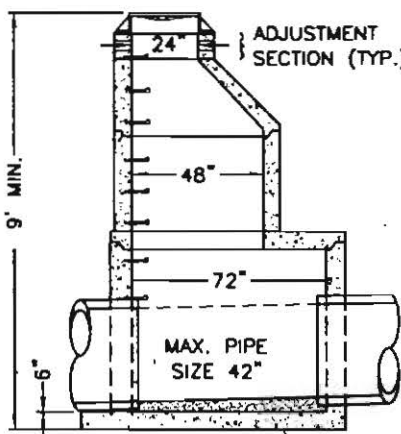
TYPE I-48 MANHOLE



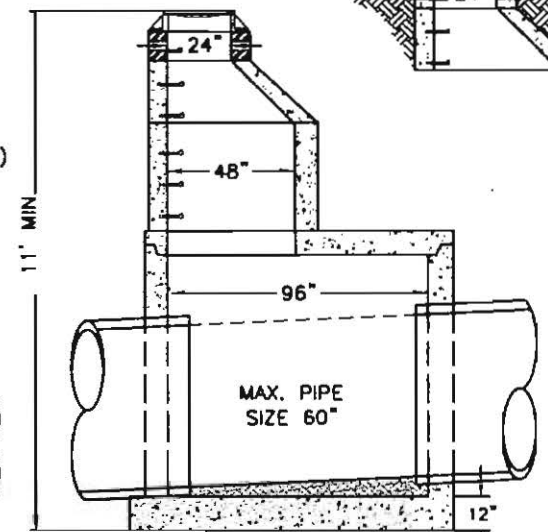
TYPE I-54 MANHOLE



TYPE I-72 MANHOLE



TYPE I-96 MANHOLE



CAST IN PLACE BASE/PRE-CAST BASE