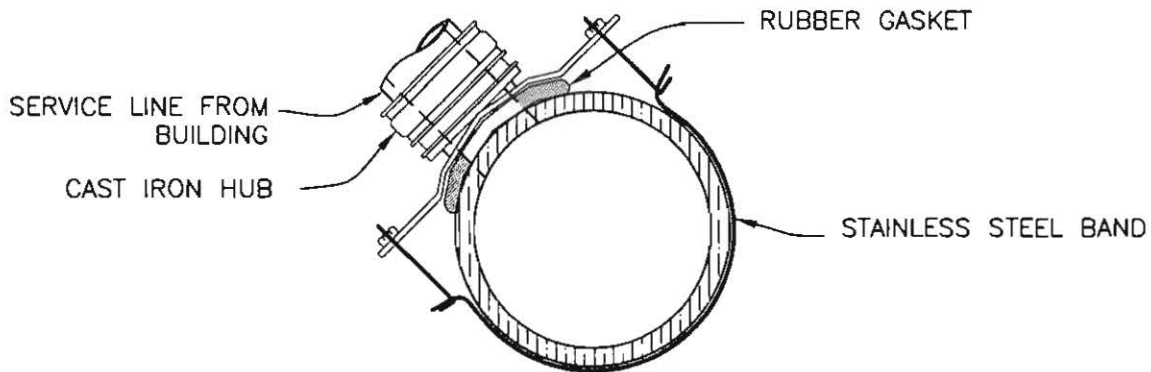
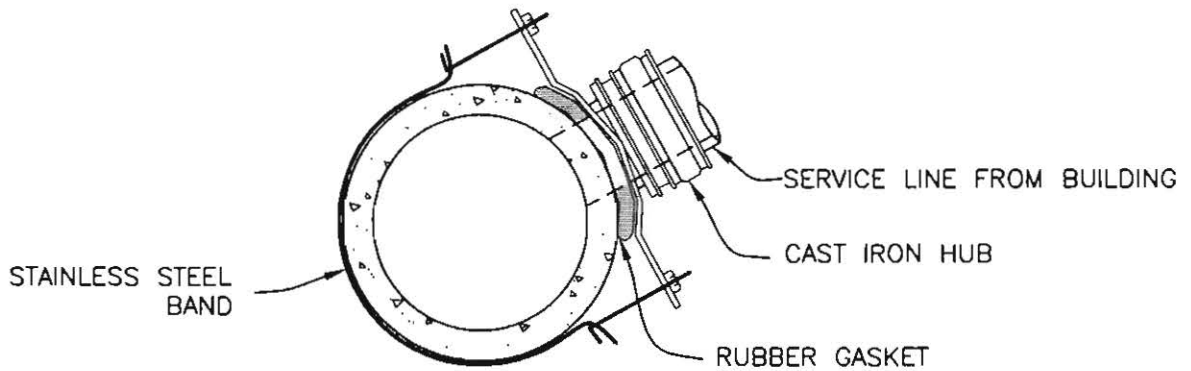
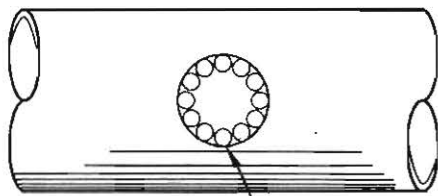


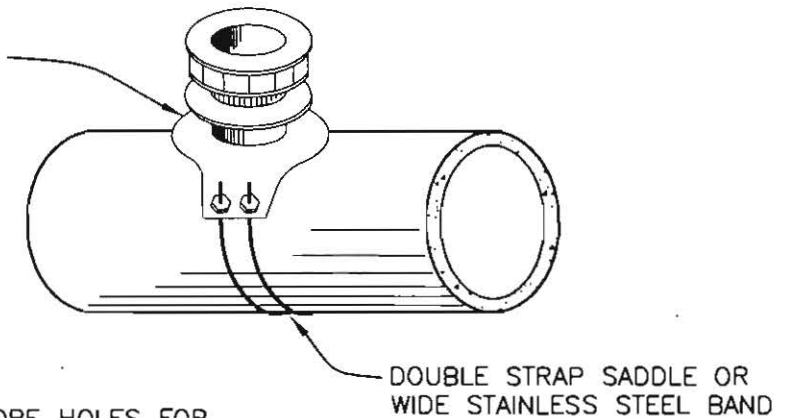
# ROMAC SEWER TAP OR EQUAL



FOR USE ON VITRIFIED CLAY,  
PVC OR CONCRETE SANITARY  
SEWER MAINS.



MIN 12,  $\frac{3}{4}$ " $\phi$  BORE HOLES FOR  
TAPPING SANITARY SEWER MAIN



## NOTES:

1. FOR 16"  $\phi$  AND LARGER MAINS THE METHOD FOR TAPPING WILL BE TO POWER CORE DRILL.
2. FOR MAINS LESS THAN 16"  $\phi$  THE PREFERRED METHOD WILL BE TO CORE DRILL THE MAIN, OR BY DRILLING MULTIPLE  $\frac{3}{4}$ "  $\phi$  HOLES (12 MINIMUM FOR 4"  $\phi$  SERVICE) THEN BREAK OUT THE COUPON.
3. FOR MAINS 12"  $\phi$  AND LARGER, THE INSERTA TEE METHOD MAY BE USED.
4. RESTORE EXCAVATED AREAS AROUND PIPE WITH PEA GRAVEL.

NOT TO SCALE

APPROVED

*David P. Ruff*  
City Engineer

4/15/09  
Date

CITY OF BELLINGHAM  
SANITARY  
BANDED TAPPING TEE

DRAWING  
SS-740