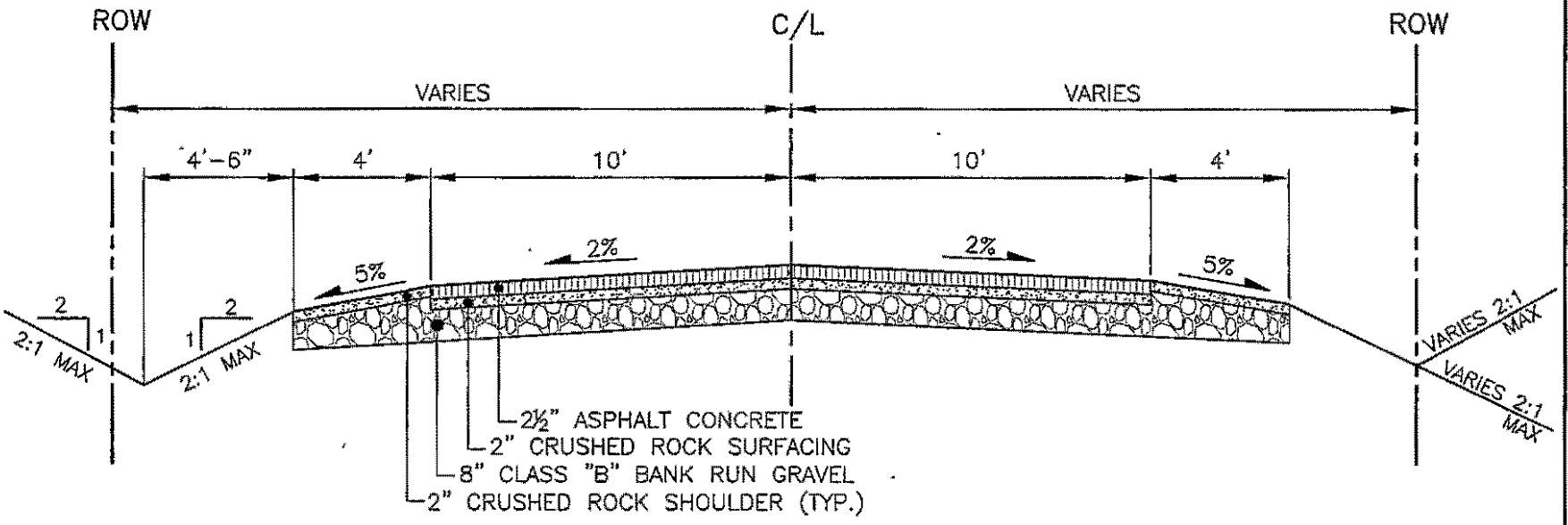


APPROVED  
 City Engineer *[Signature]*

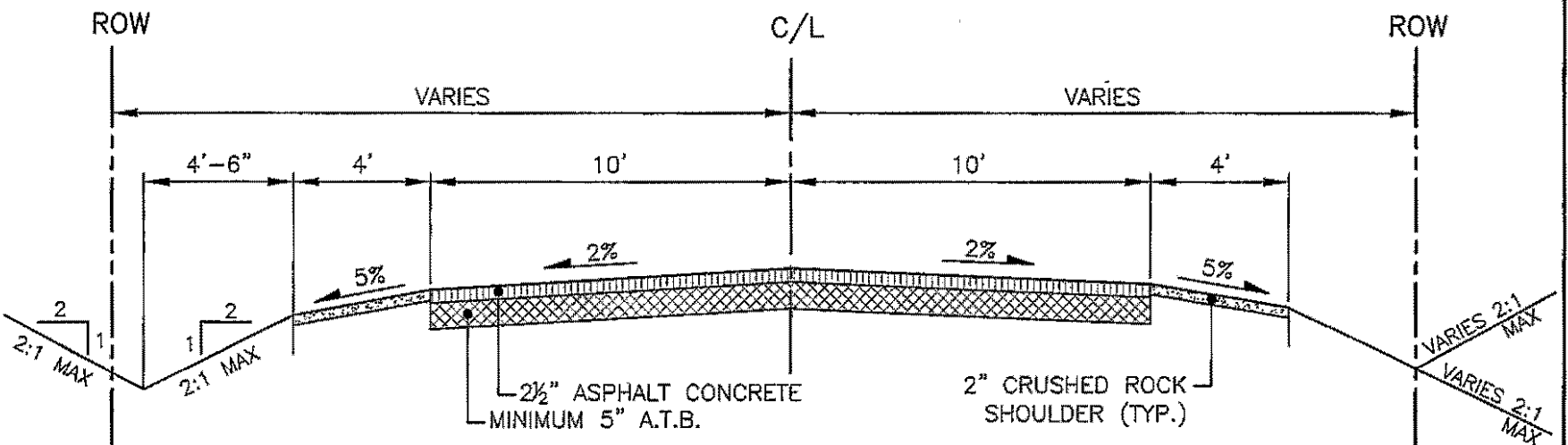
Date *11/29/04*

CITY OF BELLINGHAM  
 MINIMUM STANDARD A.C.C.  
 STREET SECTION

DRAWING  
 ST-108



ALTERNATE 'A'



ALTERNATE 'B'

**NOTE:**  
 ALL MATERIAL AND WORKMANSHIP SHALL CONFORM TO THE PROVISIONS OF APPLICABLE SECTIONS OF APWA "STANDARD SPECIFICATIONS" AND SHALL CONFORM TO THE REQUIREMENTS OF THE CITY ENGINEER.