

City Engineer

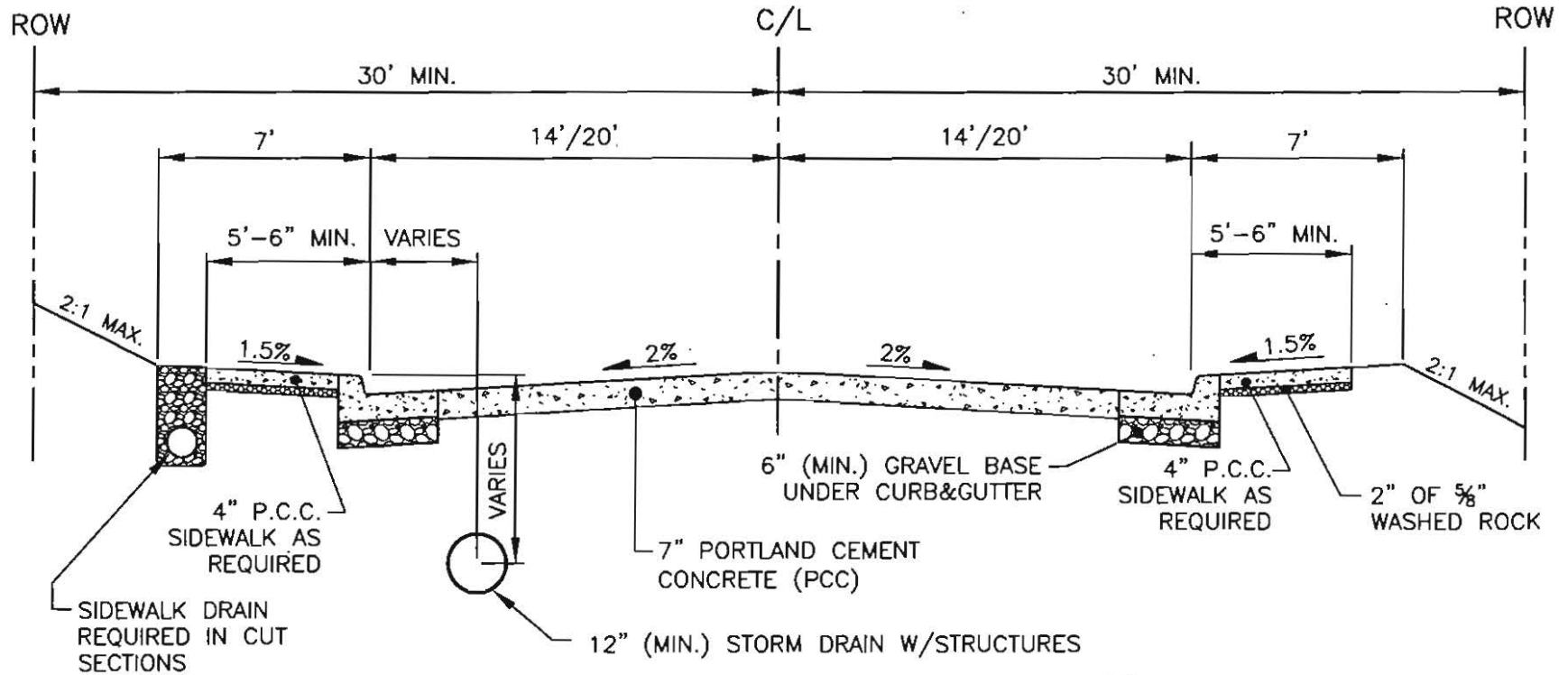
APPROVED  
*[Signature]*

Date

1/6-08

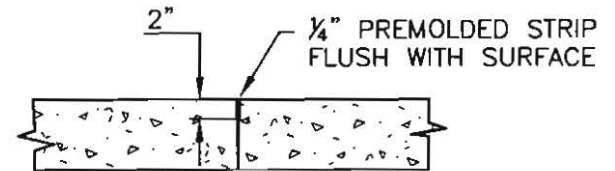
CITY OF BELLINGHAM  
STANDARD RESIDENTIAL  
CONCRETE STREET

DRAWING  
ST-124

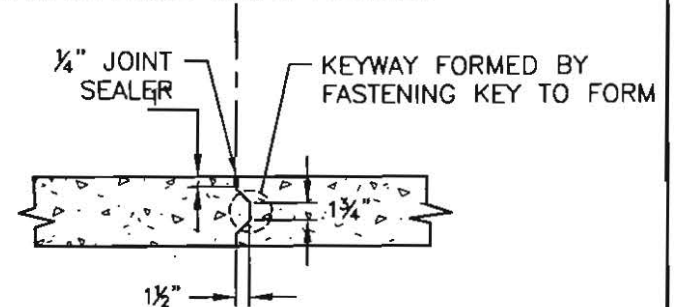


**NOTES:**

1. CONCRETE SHALL BE 1½" MAXIMUM AGGREGATE SIZE, 5.5 SACK MINIMUM, 5% AIR ENTRAINED WITH A SLUMP OF 1" TO 2½". CONCRETE SHALL HAVE A MODULUS OF RUPTURE OF NOT LESS THAN 550 P.S.I. AT 28 DAYS WHEN TESTED BY THE THIRD POINT LOADING METHOD.
2. TRANSVERSE JOINTS SHALL NOT BE SPACED AT INTERVALS GREATER THAN 12.5 FEET.
3. ALL MATERIAL AND WORKMANSHIP SHALL CONFORM TO THE PROVISIONS OF APWA "STANDARD SPECIFICATIONS" AND SHALL CONFORM TO THE REQUIREMENTS OF THE CITY ENGINEER.
4. ON CUL-DE-SACS OF LESS THAN 600' R/W MAY BE REDUCED TO 50' AND STREET WIDTH TO 48'.
5. ROLLED CURB MAY BE SUBSTITUTED FOR VERTICAL CURB UPON APPROVAL OF THE CITY ENGINEER.



TRANSVERSE JOINT DETAILS



LONGITUDINAL JOINT DETAILS