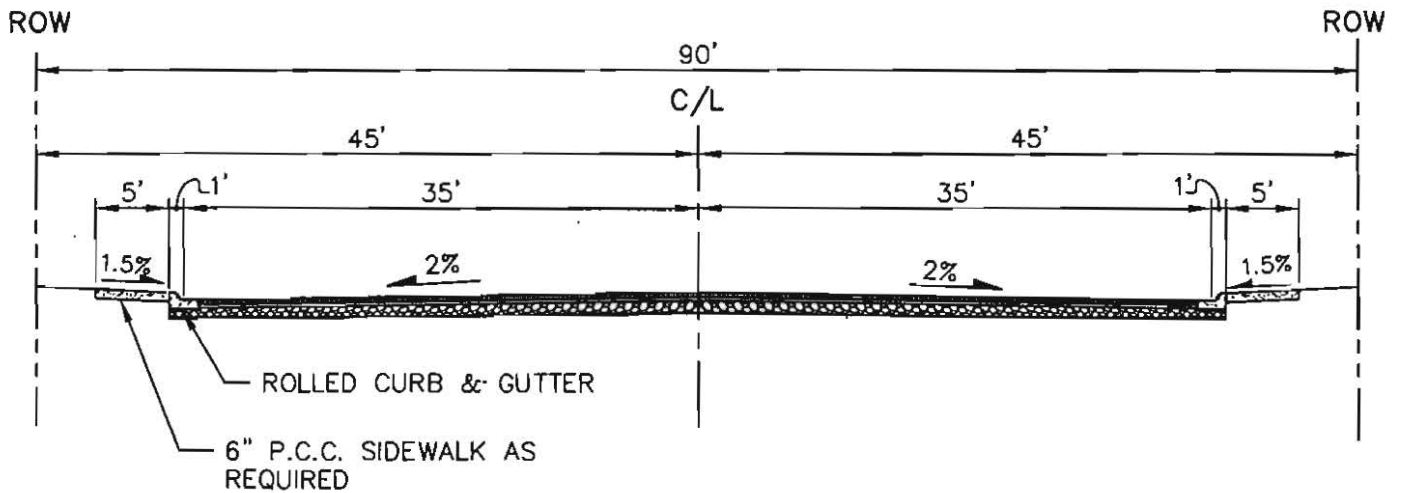


PLAN
N.T.S.



SECTION A-A
N.T.S.

NOTES:

1. NO FIXED OBJECTS ALLOWED IN SIDEWALK.
2. CUL-DE-SAC TO BE SIGNED FOR "NO PARKING FIRE LANE"

APPROVED
[Signature]
City Engineer

11-6-08
Date

CITY OF BELLINGHAM
70' DIAMETER CUL-DE-SAC

DRAWING
ST-160