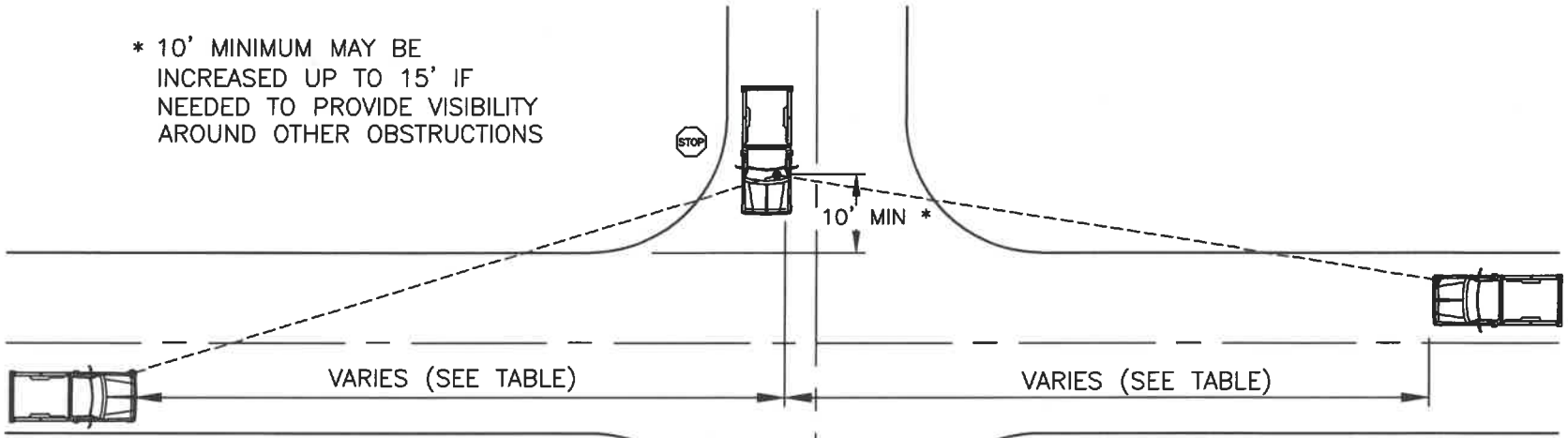
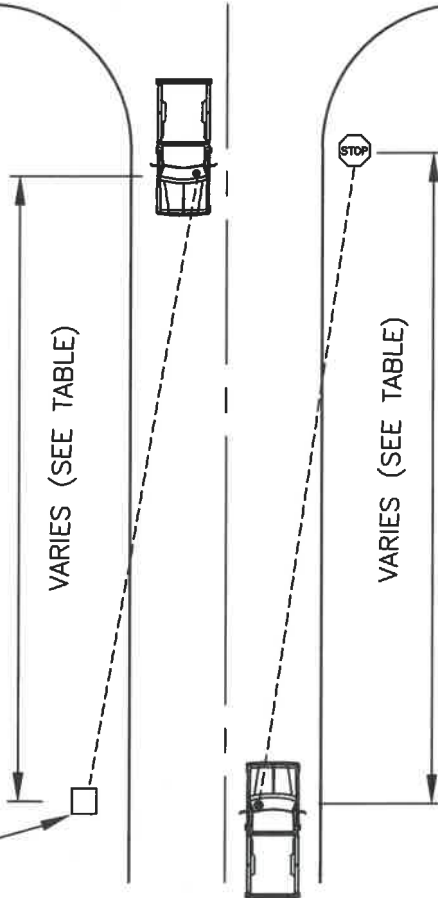


SIGHT DISTANCE REQUIREMENTS

* 10' MINIMUM MAY BE INCREASED UP TO 15' IF NEEDED TO PROVIDE VISIBILITY AROUND OTHER OBSTRUCTIONS



SIGHT DISTANCE	
25 MPH	155 FT
30 MPH	200 FT
35 MPH	250 FT
40 MPH	305 FT
45 MPH	360 FT
50 MPH	425 FT
55 MPH	495 FT



SIGHT DISTANCE IS MEASURED FROM AN EYE HEIGHT OF 3' TO 12' TO AN OBJECT HEIGHT OF 3' TO 15'

NOTE: FOR GRADES $\geq 3\%$, SEE CURRENT EDITION OF AASHTO POLICY ON GEOMETRIC DESIGN.

TRAFFIC CONTROL DEVICE OR CROSSWALK

APPROVED
City Engineer

12 March 2020
Date

CITY OF BELLINGHAM
ABATEMENT
SIGHT CLEARANCE DISTANCES

DRAWING
TC-300