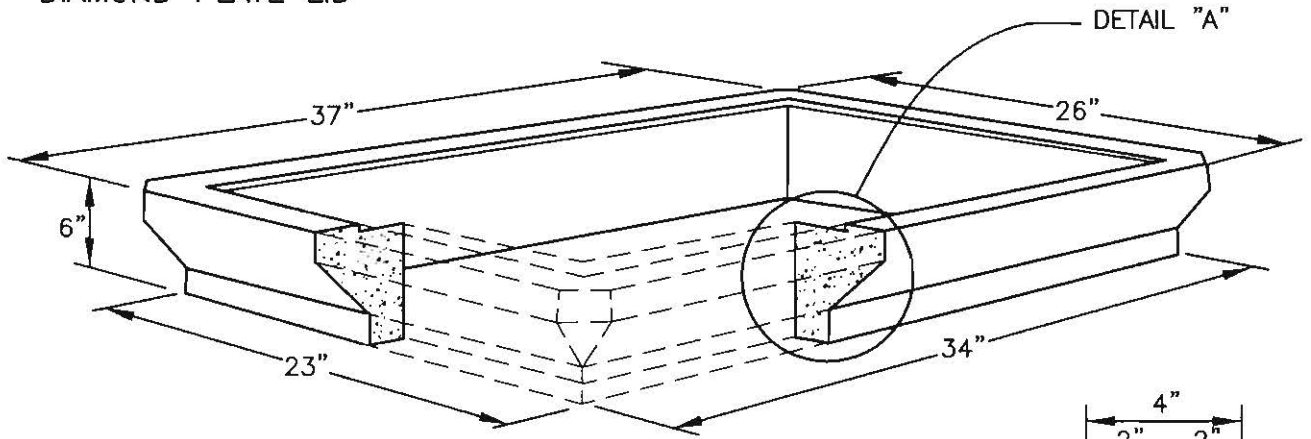
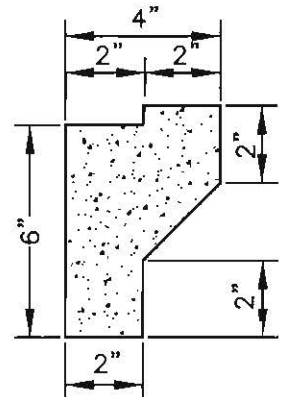


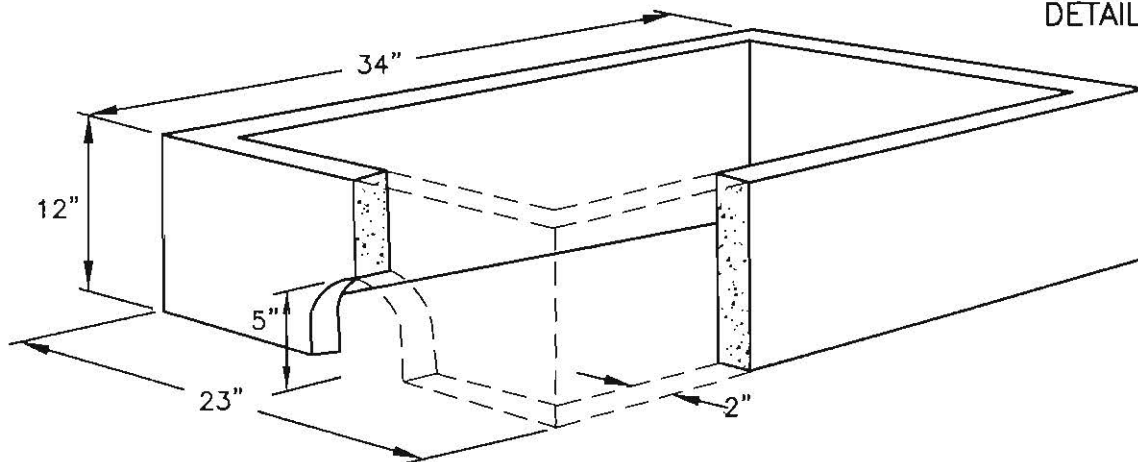
DIAMOND PLATE LID



TOP RISER BOX



DETAIL "A"



BASE BOX

NO SCALE

APPROVED

*Royce R. Smith*  
City Engineer

*5-17-05*  
Date

CITY OF BELLINGHAM  
NUMBER 2 METER BOX

DRAWING  
WA-846