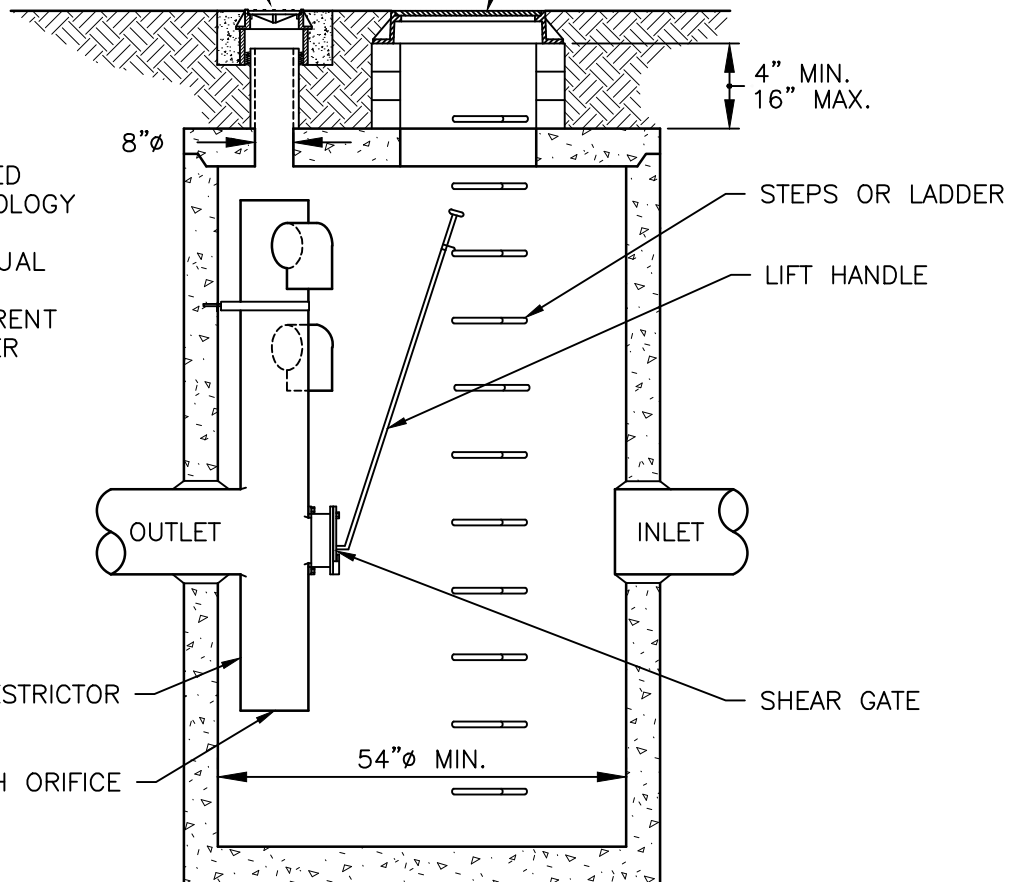


TYPICAL 8" CAST IRON RING AND COVER. CENTER OVER FLOW RESTRICTOR RISER PIPE FOR VIEWING PORT. BOLT FLUSH TO TOP OF CB SLAB OR INSTALL AT SURFACE PER DWG SS-720.

MANHOLE RING AND COVER WITH LOCKING BOLTS, MARKED "DRAIN"

NOTES:

1. NO GALVANIZED MATERIALS ALLOWED
2. REFER TO THE ECOLOGY STORMWATER MANAGEMENT MANUAL FOR WESTERN WASHINGTON, CURRENT EDITION, FOR OTHER DETAILS



APPROVED

City Engineer

Date

CITY OF BELLINGHAM
RESTRICTOR CATCH BASIN
VIEWPORT DETAIL

DRAWING
DR-542